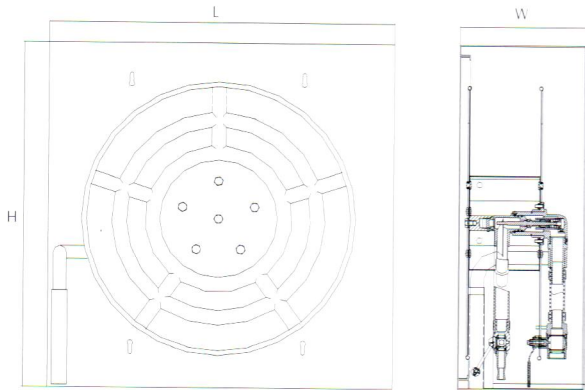


Hose Reel Cabinet (Single Compartment)

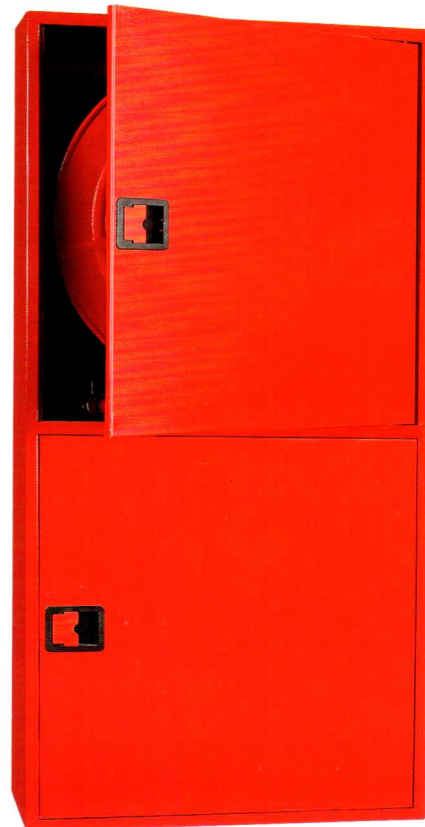
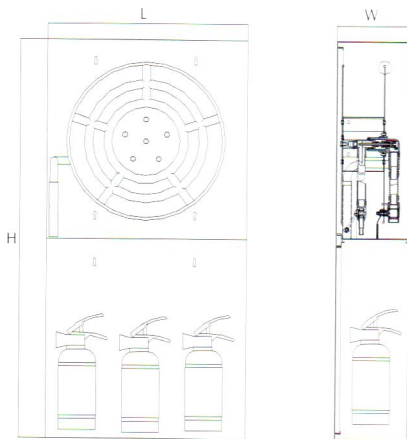


KX06-105A-00

Size	Dimension	D(mm)	Inlet	Outlet
19mm×20M	720×720×240	580	1"BSP	6 mm
19mm×30M	720×720×240	580	1"BSP	6 mm
25mm×20M	720×720×270	580	1"BSP	8 mm
25mm×30M	720×720×270	580	1"BSP	8 mm



Hose Reel Cabinet (Double Compartment)

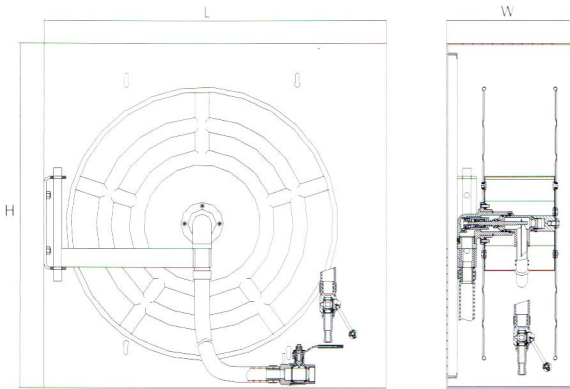


KX06-105C-00

Size	Dimension	D(mm)	Inlet	Outlet
19mm×20M	1450×720×240	590	1"BSP	6 mm
19mm×30M	1450×720×240	590	1"BSP	6 mm
25mm×20M	1450×720×270	590	1"BSP	8 mm
25mm×30M	1450×720×270	590	1"BSP	8 mm

Hose Reel

Hose Reel Cabinet (Single Compartment)

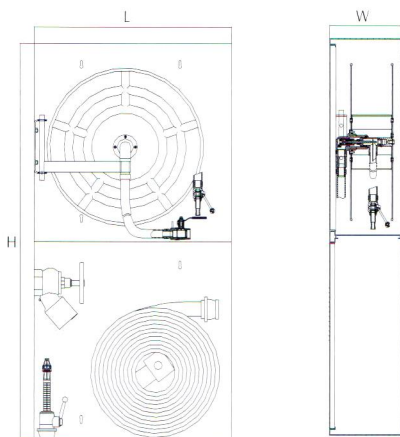


KX06-105B-00

Size	Dimension	D(mm)	Inlet	Outlet
19mm×20M	720×720×250	580	1" BSP	6 mm
19mm×30M	720×720×250	580	1" BSP	6 mm
25mm×20M	720×720×280	580	1" BSP	8 mm
25mm×30M	720×720×280	580	1" BSP	8 mm



Hose Reel Cabinet (Double Compartment)



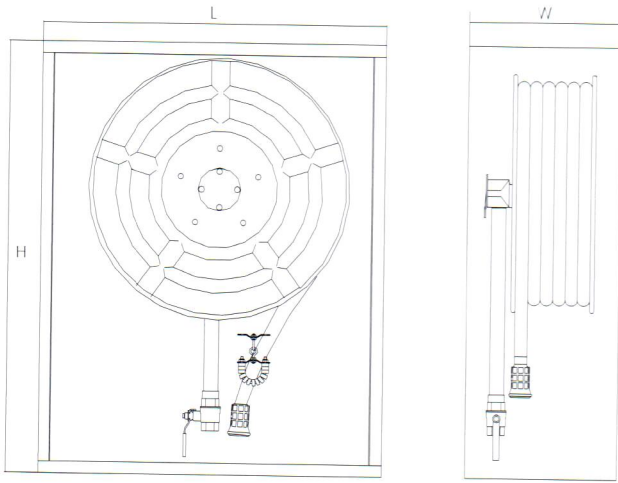
KX06-105D-00

Size	Dimension	D(mm)	Inlet	Outlet
19mm×20M	1450×720×250	580	1" BSP	6 mm
19mm×30M	1450×720×250	580	1" BSP	6 mm
25mm×20M	1450×720×280	580	1" BSP	8 mm
25mm×30M	1450×720×280	580	1" BSP	8 mm

Hose Reel



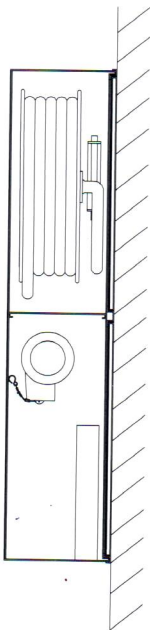
Hose Reel Cabinet (Fixed Type)



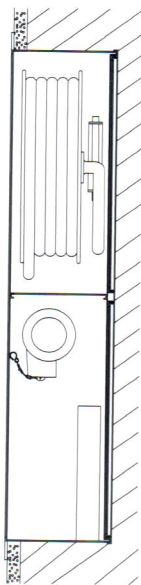
KX06-105-00

Size	Dimension	D(mm)	Inlet	Outlet
19mm×20M	1000×800×240	580	1" BSP	6 mm
19mm×30M	1000×800×240	580	1" BSP	8 mm
25mm×20M	1000×800×270	580	1" BSP	8 mm
25mm×30M	1000×800×270	580	1" BSP	8 mm

Hose Reel



Wall-mounted



Recessed

SPECIFICATION

- 1mm cold rolled steel or stainless steel
- Manufacture by CNC punching machine
- RAL3000 polyester epoxy Powder coating
- Magic plus Automatic coating line
- 3/4" or 1" hose reel EN 671-1 approve
- Hose reel is mounted on arm which swings 180°
- Fire hose rack 2.5" x 30 M & Landing valve
- 6kg Dry powder fire extinguisher
- Stainless steel or Plastic doorlock
- Wall-mounted or Recessed type