

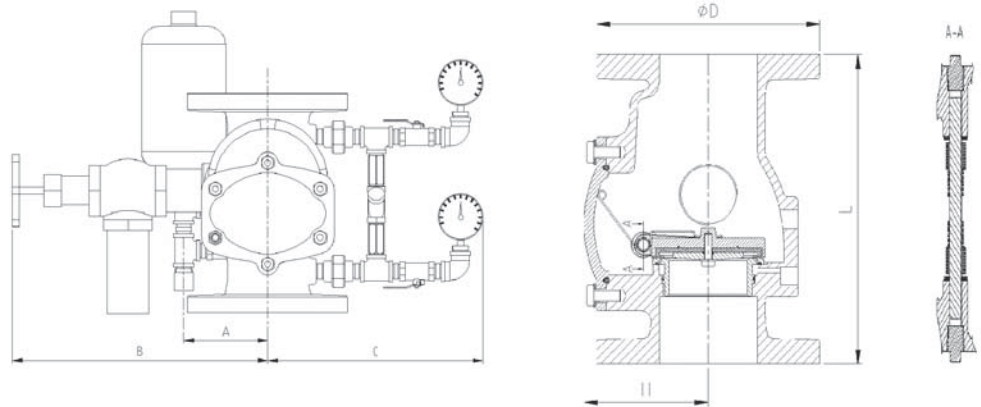
## Alarm Check Valve



Name of parts	Material
Body	EN-GJS-500-7
Cover	EN-GJS-500-7
Disc	Bronze
Seat ring on body	Stainless Stell 304
Seal	EPDM
Shaft	Stainless Stell 304
Bearing bush	Brass
Spring	Stainless Stell 304

### Specification >

- Nominal diameter: 3"-8"
- Nominal pressurer: 300PSI
- Valve standard: UL193
- Face to face length: EN558-1 12 Series
- Flange type: ASME B16.1



Dimensions		Pressure rating	Size (mm)						
DN	inch		psi	ΦD	L	H	A	B	C
80	3	300	190	283	120	120	296	300	238
100	4	300	229	305	127.5	120	365	305	182
150	6	300	280	394	182	120	402	330	218
200	8	300	345	457	214	120	424	365	248