

## Resilient seated OS&Y gate valve-grooved end

Name of parts	Material
Body	Ductile iron
Wedge	Ductile iron+EPDM
Stem nut	Bronze
Stem	SS431 or SS304, SS316, bronze
Bonnet	Ductile iron
Bonnet Gasket	EPDM
Sealing Ring	EPDM
Yoke	Ductile iron
Sliding disc	Bronze
Screw	Carbon steel with hot galvanization
O-rings	EPDM
Handwheel	Ductile iron

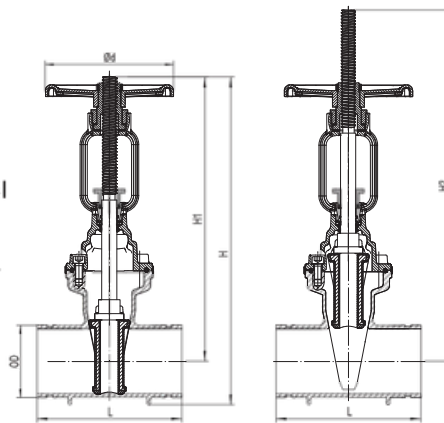


Model No. Z81X



### Technical data >

- Sizes: DN50/60~DN200/219
- Working pressure: PN25, 362PSI
- Valve standard: AWWA C515
- Grooved standard: AWWA C606
- Temperature range: 0 ~ 80 °C



Dimensions		Pressure rating	Size (mm)					
DN	inch		psi	OD	L	H1	H2	H
50	2	362	60.3	178	358.5	420.5	403.5	203
65	2.5	362	73	190	359.5	429.5	411	203
			76.1					
80	3	362	88.9	203	378	462	437.5	203
100	4	362	114.3	229	449.5	553	518.5	203
125	5	362	139.7	254	549.5	677	631	300
			141.3					
150	6	362	165.1	267	591.5	747	686	300
			168.3					
200	8	362	219.1	292	735.5	938	865	330