

## BS5163 Resilient seated OS&Y gate valve-flange end

Name of parts	Material
Body	Ductile iron
Wedge	Ductile iron+EPDM
Stem nut	Bronze
Stem	SS431 or SS304, SS316, bronze
Bonnet	Ductile iron
Bonnet Gasket	EPDM
Sealing Ring	EPDM
Yoke	Ductile iron
Sliding disc	Bronze
Screw	Carbon steel with hot galvanization
O-rings	EPDM
Handwheel	Ductile iron

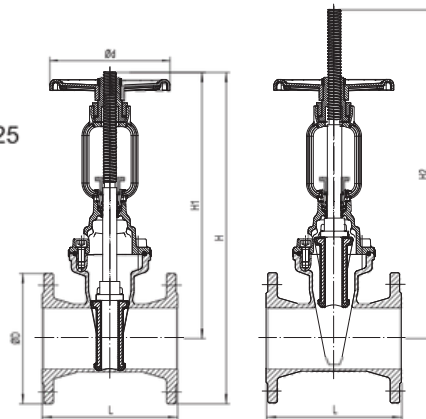


Model No. Z41X-02



### Technical data >

- Sizes: DN50~DN300
- Working pressure: PN16/PN25
- Valve standard: BS5163
- Flange standard: EN1092-2
- Temperature range: 0 ~ 80 C



Dimensions		Pressure rating	Size (mm)					
DN	inch	PN	ΦD	L	H1	H2	H	Φd
50	2	16	165	178	358.5	420.5	441	203
		25		216				
65	2.5	16	185	190	359.5	429.5	452	203
		25		241				
80	3	16	200	203	378	462	478	203
		25		283				
100	4	16	220	229	449.5	553	559.5	203
		25	235	305			567	
125	5	16	250	254	549.5	677	674.5	300
		25	270	381			684.5	
150	6	16	285	267	591.5	747	734	300
		25	300	403			741.5	
200	8	16	340	292	735.5	938	905.5	330
		25	360	419			915.5	
250	10	16	400	330	900.5	1161	1100.5	406
		25	425	457			1113	
300	12	16	455	356	1045.5	1353	1273	406
		25	485	502			1288	