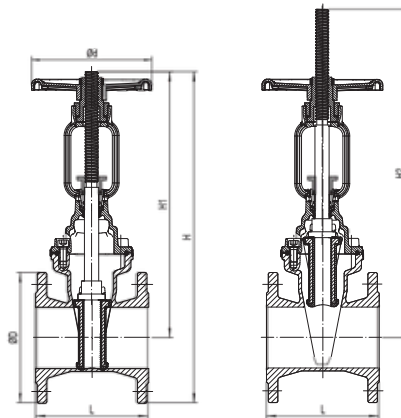


DIN F4 Resilient seated OS&Y gate valve-flange end

Model No. Z41X-01



Name of parts	Material
Body	Ductile iron
Wedge	Ductile iron+EPDM
Stem nut	Bronze
Stem	SS431 or SS304, SS316, bronze
Bonnet	Ductile iron
Bonnet Gasket	EPDM
Sealing Ring	EPDM
Yoke	Ductile iron
Sliding disc	Bronze
Screw	Carbon steel with hot galvanization
O-rings	EPDM
Handwheel	Ductile iron



Technical data >

- Sizes: DN50~DN300
- Working pressure: PN16/PN25
- Valve standard: EN1171
- Flange standard: EN1092-2
- Temperature range: 0 ~ 80 °C

Dimensions		Pressure rating PN	Size (mm)					
DN	inch		ΦD	L	H1	H2	H	Φd
50	2	16	165	150	358.5	420.5	441	203
		25						
65	2.5	16	185	170	359.5	429.5	452	203
		25						
80	3	16	200	180	378	462	478	203
		25						
100	4	16	220	190	449.5	553	559.5	203
		25					235	
125	5	16	250	200	549.5	677	674.5	300
		25					270	
150	6	16	285	210	591.5	747	734	300
		25					300	
200	8	16	340	230	735.5	938	905.5	330
		25					360	
250	10	16	400	250	900.5	1161	1100.5	406
		25					425	
300	12	16	455	270	1045.5	1353	1273	406
		25					485	