



Automatic Sprinklers

Technical Data

HORIZONTAL SIDEWALL SPRINKLERS

MODEL: **FA001H** / **FA002H**

STANDARD SPRAY, STANDARD / QUICK RESPONSE, 5 / 3 mm BULB

TYPE, K5.6, 1/2" CONNECTING THREAD

GENERAL DESCRIPTION

Horizontal sidewall sprinklers are generally used in lieu of pendent and upright sprinklers because of building construction or installation economy considerations. They are designed for installation along a wall or the side of a beam and just beneath a smooth ceiling. Installed with their centerline of waterway horizontal, these sprinklers produce a quarter-spherical water discharge pattern that is predominately directed downward and outward from the deflector; however, a portion of the spray is also directed towards the back wall.

Model FA001H / FA002H, Standard / Quick Response Horizontal Sidewall Sprinklers (Ref. Figure A), are automatic sprinklers of the frangible bulb type, and standard spray, 1/2" orifice, 5 / 3 mm bulb. They are "standard/quick response - standard orifice sidewall sprinklers" intended for use in fire sprinkler systems designed in accordance with the standard installation rules recognized by the applicable Listing or Approval agency (e.g., UL Listing is based on NFPA 13 requirements).

SPRINKLER OPERATION

During a fire conditions, the thermal-sensitive liquid in the glass bulb expands, causing the

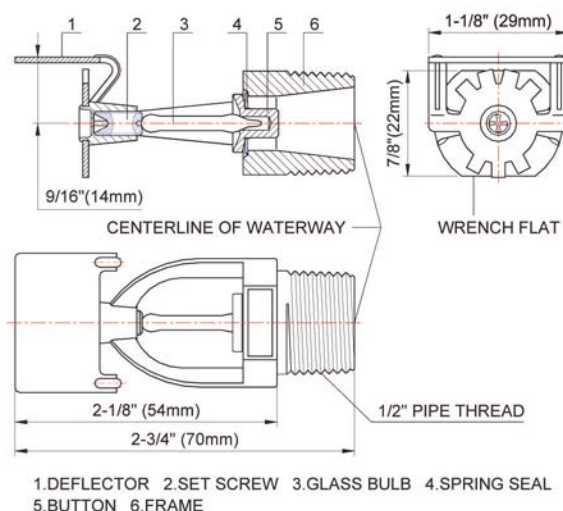


FIGURE A : MODEL FA001H/FA002H HORIZONTAL SIDEWALL SPRINKLERS

bulb to shatter, releasing the button and spring seal assembly. Water flowing through the sprinkler orifice strikes the sprinkler deflector, forming a uniform spray pattern to extinguish or control the fire.

COVERAGE

For coverage area and sprinkler placement, refer to NFPA13 standards.

TECHNICAL SPECIFICATIONS

Model & Sprinkler I.D. No. ¹	FA001H		FA002H	
Style	Horizontal Sidewall			
Response & Bulb Nominal Dia.	Standard Response, Ø5mm		Quick Response, Ø3mm	
Temp. Classification	Ordinary	Ordinary	Intermediate	Intermediate
Nominal Temp. Rating	135°F / 57°C	155°F / 68°C	175°F / 79°C	200°F / 93°C
Max. Ambient Temp. Allowed ²	115°F / 46°C	135°F / 57°C	155°F / 68°C	180°F / 82°C
Max. Recommended Ambient Temp. ³	100°F / 38°C	100°F / 38°C	150°F / 65°C	150°F / 65°C
Glass Bulb Color ⁴	Orange	Red	Yellow	Green

Automatic Sprinklers

Technical Data

Thread Size [Optional]	<input type="checkbox"/> NPT1/2 or <input type="checkbox"/> R1/2 ⁵
Nominal Orifice Size	1/2 Inch
Nominal K-Factor ¹	5.6 (U.S.) / 80 (metric)
Max. Working Pressure	175 psig / 1.2 MPa (12 bar)
Factory Hydrostatic Test	100% @ 500psig (3.4 MPa)
Min. Operating Pressure	7 psig / 0.048 MPa (0.48 bar)
Sprinkler Finish [Optional]	<input type="checkbox"/> Natural Brass or <input type="checkbox"/> Chrome Plated
Listings and Approvals ⁶	UL(United States)

Footnotes:

¹ Sprinkler I.D. Nos. and nominal U.S. K-factors provided in accordance with the 2002 edition of NFPA 13.

² Based on National Fire Prevention and Control Administration Contract No. 7-34860.

³ Based on NFPA 13. Other limits may apply depending on fire loading, sprinkler location, and other requirements of the Authority Having Jurisdiction. Refer to specific installation standards.

⁴ The temperature rating is stamped on the deflector or adjacent to orifice seat on frame.

⁵ The pipe thread connections accord with ISO7/1.

⁶ This table shows the listings and approvals available at the time of printing. Check with the manufacturer for any additional approvals.

⁷ UL Listed for both Light-Hazard and Ordinary-Hazard occupancies. Locate with deflectors 4" to 12" (100mm to 300mm) below ceiling.

Note: Locate with deflectors 4" to 12" (100mm to 300mm) from walls. Align horizontal sidewall sprinklers with top of deflectors parallel to the ceiling or roof.

SPRINKLER MATERIALS

Frame	Bronze Forging UNS-C87400
Deflector	Brass UNS-28000
Glass Bulb	Glass with Glycerin Solution, JOB [®] G5 for FA001H JOB [®] F3 for FA002H
Set Screw	Brass UNS-28000
Button	Brass UNS-28000
Spring	Stainless Steel
Seal	Teflon [®] Tape

ACCESSORIES

Installation Wrench	
Style	T-1

DISCHARGE COEFFICIENT

Model FAH001/FA002H Horizontal Sidewall Sprinklers are rated for use at a maximum service pressure of 175 psig (12 bar).

The nominal discharge curve plotted in Figure B represents the flow "Q" in GPM (LPM) as determined by the following formula:

$$Q = K (P)^{0.5}$$

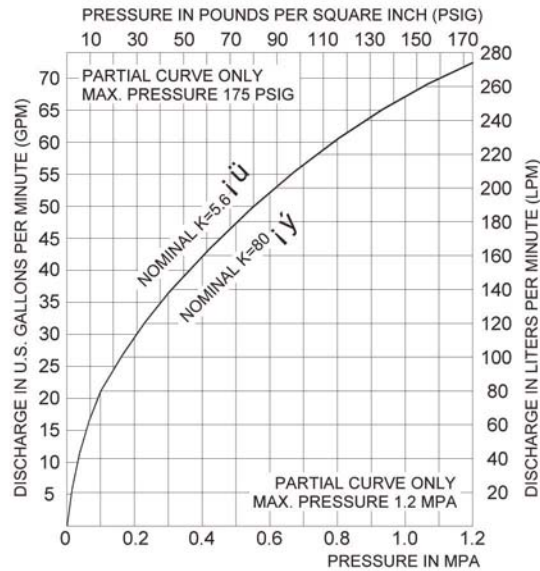


FIGURE B : NOMINAL DISCHARGE CURVE

Where:

- Q — Flow, LPM (GPM)
- K — Discharge Coefficient, K=5.6 (80)
- P — Discharge Pressure, psig (bar)

Listing standards permit the actual value of "K" to vary from 5.3 to 5.8 (76,4 to 83,6); however, for hydraulic calculations, a K-factor of 5.6 (80,7) is to be applied.



Automatic Sprinklers

Technical Data

WARNING

The Model FA001H/FA002H Horizontal Sidewall Sprinklers described herein must be installed and maintained in compliance with this document, as well as applicable standards of the National Fire Protection Association, in addition to the standards of any other authorities having jurisdiction. Failure to do so may impair the integrity of these devices.

The owner is responsible for maintaining their fire protection system and devices in proper operating condition. The installing contractor or manufacturer should be contacted relative to any questions.

INSTALLATION

NOTES

Do not install any bulb type sprinkler if the bulb is cracked or there is a loss of liquid from the bulb. With the sprinkler held horizontal, a small air bubble should be present. The diameter of the air bubble is approximately 1/16" (1.6mm) for the 135°F/57°C to 3/32" (2.4mm) for the 286°F/141°C rating. (At higher ambient temperatures, the bubble may be barely perceptible for the lower temperature ratings.)

The Model FA001H/FA002H Horizontal Sidewall Sprinklers must be installed in accordance with the following instructions.

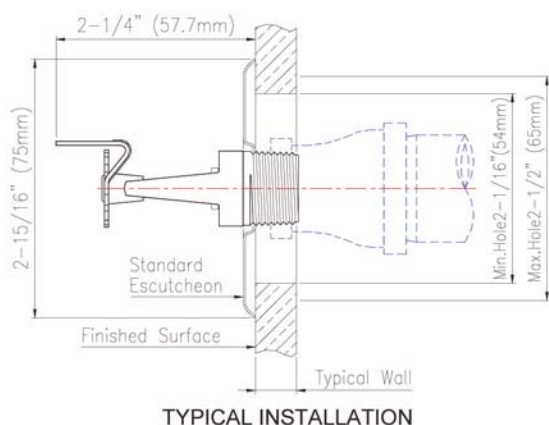


FIGURE C : MODEL FAH001/FAH002 HORIZONTAL SIDEWALL SPRINKLER INSTALLED WITH A STANDARD ESCUTCHEON

1. Prior to installing the sprinklers, if applicable, verify that the face of the sprinkler fitting is within

the proper range of distance, which can be accommodated by the type of escutcheon being used.

2. The Model FA001H/FA002H Horizontal Sidewall Sprinklers must be installed with the centerline of waterway horizontal and perpendicular to a back wall surface. It is recommended that a lightweight spirit level (less than 1 pound), be used to level the sprinkler fitting, as shown in Figure D and that a square be used to check perpendicularity of the waterway centerline to the mounting surface.

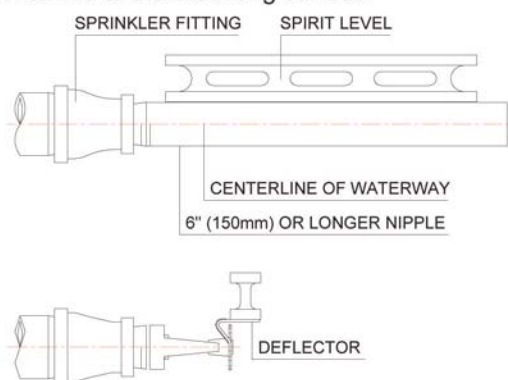


FIGURE D : LEVELING OF SPRINKLER FITTING AND DEFLECTOR

3. With pipe thread sealant applied to the pipe threads and after installing standard escutcheon, over the sprinkler threads, hand tighten the sprinkler into the sprinkler fitting.

4. Refer to Figure E and select the appropriate Sprinkler Wrench for tightening the sprinkler into the sprinkler fitting. The word "TOP" on the Deflector must face upwards towards the ceiling.

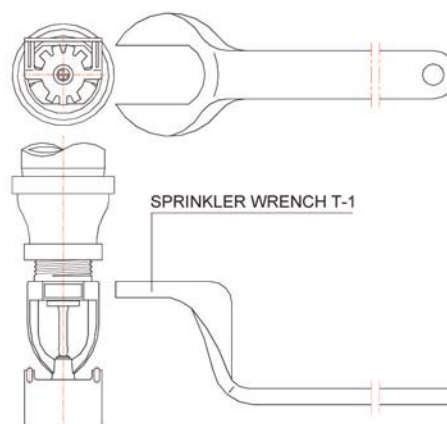


FIGURE E : SPRINKLER WRENCH SELECTION & USE

Automatic Sprinklers

Technical Data

The T-1 Sprinkler Wrench must be used for installing Model FA001H/FA002H sprinklers. When using T-1 type wrench, the wrench is to be applied to the sprinkler wrench flats only (Ref. Figure A).

NOTES

A leak tight 1/2" pipe thread sprinkler joint should be obtained with a torque of 7 to 14 ft.lbs. (9.5 to 19.0 Nm). The maximum installing torque shall not exceed 21 ft.lbs. (28.5 Nm). Higher levels of torque may distort the sprinkler inlet with consequent leakage or impairment of the sprinkler.

Push on the Sprinkler Wrench, while it is being turned, to ensure that the Wrench recess stays fully engaged with the sprinkler wrench flats.

Carefully remove the Sprinkler Wrench by disengaging it from the sprinkler wrench flats, and then lowering it down over the sprinkler deflector.

It is recommended that a spirit level be used to level the Deflector, as shown in Figure D.

CARE AND MAINTENANCE

Automatic sprinklers must never be shipped or stored where their temperatures will exceed 100°F/38°C and they must never be painted, plated, coated or otherwise altered after leaving the factory. Modified sprinklers must be replaced. Sprinklers that have been exposed to corrosive products of combustion, but have not operated, should be replaced if they cannot be completely cleaned by wiping the sprinkler with a cloth or by brushing it with a soft bristle brush.

Care must be exercised to avoid damage to the sprinklers — both before and after installation. Sprinklers damaged by dropping, striking, wrench twist/slippage, or the like, must be replaced. Also, replace any sprinkler that has a cracked bulb or that has lost liquid from its bulb (ref. Installation Section Note).

NOTES

Absence of an escutcheon, which is used to cover a clearance hole, may delay the time to sprinkler operation in a fire situation.

Before closing a fire protection system control valve for maintenance work on the fire protection system, which it controls, permission to shut down the affected fire protection system must be obtained from the proper authorities and all personnel who may be affected by this action must be notified.

It is recommended that automatic sprinkler systems be inspected quarterly by a qualified Inspection Service.

WARRANTY AND ORDERING

Seller warrants for a period of one year from the date of shipment (warranty period) that the products furnished hereunder will be free from defects in material and workmanship.

For further details on Warranty, see Price List.

A Product Symbol Number (PSN) shall be specified when ordering sprinklers. And it is suggested that a color chip be provided when ordering special color coated Escutcheons. Otherwise, responsibility for duplication cannot be accepted.

Contact your local distributor for availability.

Sprinkler Assemblies:

Specify: 1/2" orifice, (specify temperature rating), Model FAH001/FAH002 Standard/Quick Response Horizontal Sidewall Sprinkler with (specify type of finish), PSN (specify as follows).

PSN 5 -- X1 -- X2 -- X3 -- X4

X1	Sprinkler Model
001	S.R. Horizontal Sidewall
002	Q.R. Horizontal Sidewall
X2	Sprinkler Finish
1	Natural Brass
2	Chrome Plated
X3	Thread Size
1	NPT1/2
2	R1/2 per ISO 7/1
X4	Nominal Temperature Rating
135	135°F / 57°C
155	155°F / 68°C
175	175°F / 79°C
200	200°F / 93°C

Escutcheon & Sprinkler Wrench:

Specify: 1/2" Standard Escutcheon with specify finish, PSN (specify).

1/2" E-0 Chrome PSN 5-E0-1-1

1/2" E-0 White PSN 5-E0-1-2

Specify: Model T-1 Wrench PSN 5-T1

WEIGHT

The nominal weights are as follows.

1/2" Orifice Model FAH001/FAH002 Horizontal Sidewall	2.8 ozs. (80 g)
E-0 Standard Escutcheon Sprinkler Wrench	0.6 ozs. (18 g) 18 ozs. (510 g)