



**SECURE**

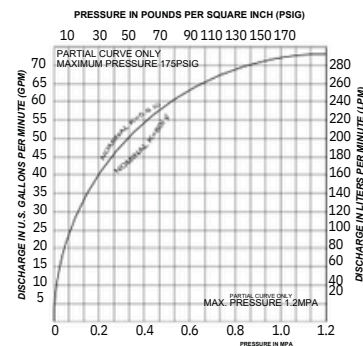
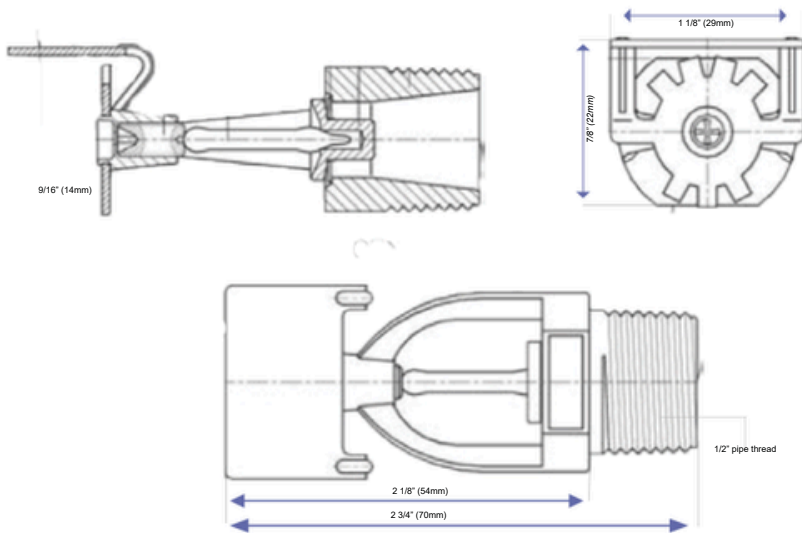
**SECURE**

**SE001H / SE002H  
HORIZONTAL SIDEWALL SPRINKLER HEAD  
STANDARD / QUICK RESPONSE**

EX27901



**Technical Dimension:**



Nominal Discharge Curve

**Technical Specification:**

Model & Sprinkler I.D No.	SE001H		SE002H	
Style	HORIZONTAL SIDEWALL			
Response & Bulb Nominal Diameter	Standard response, 5mm		Quickresponse, 3mm	
Temperature Classification	Ordinary	Ordinary	Intermediate	Intermediate
Nominal Temperature Range	135F / 57°C	155°F / 68C	175F/79°C	200°F / 93 C
Max. Ambient Temperature allowed <sup>2</sup>	115F / 46°C	135°F / 79C	155F/68°C	180°F / 82 C
Max. Recommended Ambient Temp <sup>3</sup>	100F / 38°C	100°F / 93C	150F/65°C	150°F / 65 C
Glass Bulb	Orange	Red	Yellow	Green
Thread Size (optional)	NPT 1/2 OR R 1/2			
Nominal Orifice Size	1/2 INCH			
Nominal K-factor	5.6 (US) / 80 (METRIC)			
Maximum working pressure	175 PSIG / 1.2 Mpa (12 BAR)			
Factory Hydrostatic Test	100% @ 500 PSIG (3.4Mpa)			
Min. Operating Pressure	7 PSIG / 0.048 Mpa (0.48 BAR)			
Sprinkler Finish (optional)	NATURAL BRASS OR CHROME PLATED			
Listing and approvals	UL			