



SECURE

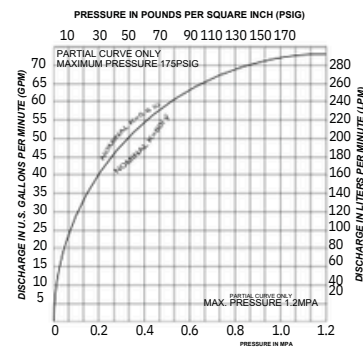
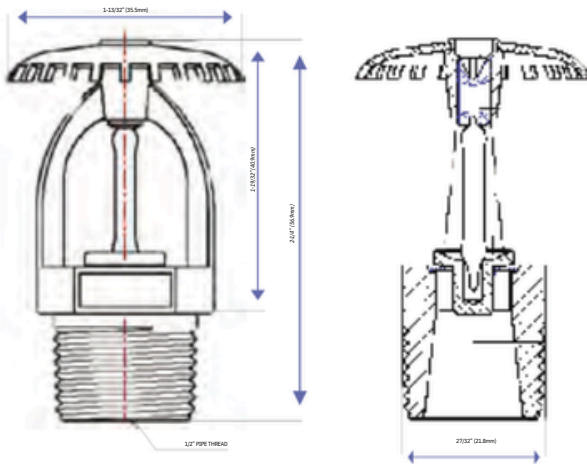
SECURE

**SE003U / SE004U
UPRIGHT SPRINKLER HEAD
STANDARD / QUICK RESPONSE**

EX27901



Technical Dimension:



Technical Specification:

| Model & Sprinkler I.D No. | S E 003U | S E 004U |
|---|------------------------------|---------------------|
| Style | UPRIGHT | |
| Response & Bulb Nominal Diameter | Standard response, 5mm | Quick response, 3mm |
| Temperature Classification | Ordinary | |
| Nominal Temperature Range | 135 F / 57°C | 155F / 68°C |
| Max. Ambient Temperature allowed ² | 115 F / 46°C | 135F / 57°C |
| Max. Recommended Ambient Temp ³ | 100 F / 38°C | 100F / 38°C |
| Glass Bulb | Orange | Red |
| Thread Size (optional) | NPT1/2OR R 1/2 | |
| Nominal Orifice Size | 1/2INCH | |
| Nominal K-factor | 5.6 (US)/80(METRIC) | |
| Maximum working pressure | 175 PSIG/1.2Mpa (12 BAR) | |
| Factory Hydrostatic Test | 100% @500PSIG (3.4Mpa) | |
| Min. Operating Pressure | 7 PSIG / 0.048Mpa (0.48 BAR) | |
| Sprinkler Finish (optional) | NATURAL BRASSORCHROME PLATED | |
| Listing and approvals | UL | |



SECURE

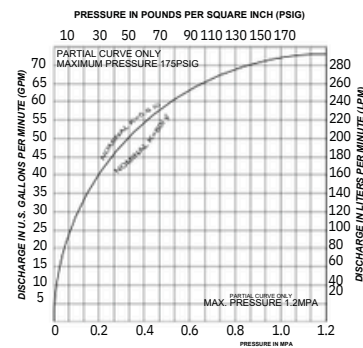
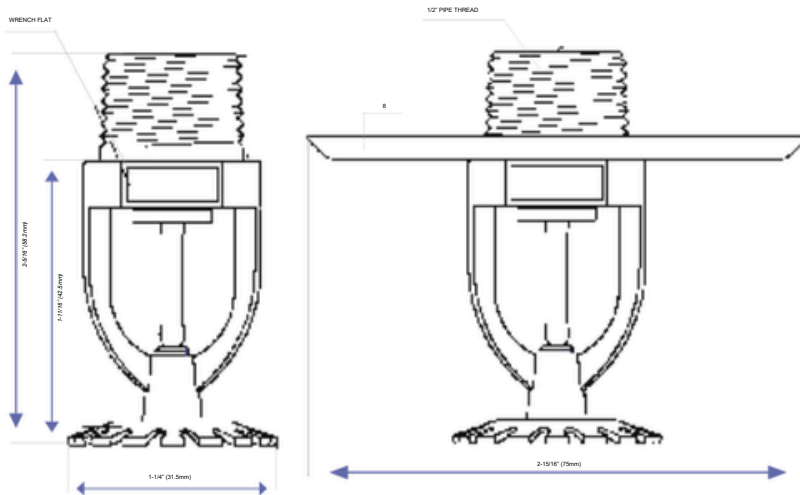
SECURE

SE005P / SE006P PENDENT SPRINKLER HEAD STANDARD / QUICK RESPONSE

EX27901



Technical Dimension:



Nominal Discharge Curve

Technical Specification:

| Model & Sprinkler I.D No. | SE005P | SE006P |
|---|--------------------------------|---------------------|
| Style | P E N D E N T | |
| Response & Bulb Nominal Diameter | Standard response, 5mm | Quick response, 3mm |
| Temperature Classiaon | INTERMEDIATE | |
| Nominal Temperature Rang | 175F / 79°C | 200F / 93°C |
| Max. Ambient Temperature allowed ² | 155F / 68°C | 180F / 82°C |
| Max. Recommended Ambient Temp ³ | 150F / 65°C | 150F / 65°C |
| Glass Bulb | Yellow | Green |
| Thread Size (op onal) | NPT 1/2 OR R 1/2 | |
| Nominal Orice Size | 1/2 INCH | |
| Nominal K-factor | 5.6 (US) / 80 (METRIC) | |
| Maximum working pressure | 175 PSIG / 1.2 Mpa (12 BAR) | |
| Factory Hydrostac Test | 100% @ 500 PSIG (3.4Mpa) | |
| Min. Operang Pressure | 7 PSIG / 0.048 Mpa (0.48 BAR) | |
| Sprinkler Finish (op onal) | NATURAL BRASS OR CHROME PLATED | |
| Lis ng and approvals | UL | |