

## Resilient seated NRS gate valve grooved end

Name of parts	Material
Body	Ductile iron
Wedge	Ductile iron+EPDM
Stem nut	Bronze
Stem	SS431 or SS304, SS316, bronze
Bonnet	Ductile iron
Bonnet Gasket	EPDM
Sealing Ring	EPDM
Upper cover	Ductile iron
Sliding disc	Bronze
Screw	Carbon steel with hot galvanization
O-rings	EPDM
Handwheel	Ductile iron

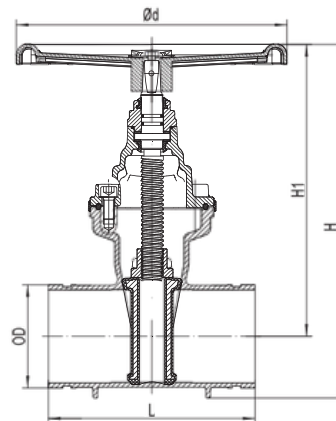


Model No. Z85X



### Technical data >

- Sizes: DN50/60~DN200/219
- Working pressure: PN25, 362PSI
- Valve standard: AWWA C515
- Grooved standard: AWWA C606
- Temperature range: 0 ~ 80 C



Dimensions		Pressure rating	Size (mm)				
DN	inch		psi	ΦD	L	H1	H
50	2	362	60.3	178	256	301	203
65	2.5		73			190	
		76.1	309				
80	3	362	88.9	203	273.5	333	203
100	4	362	114.3	229	323.5	396	300
125	5	362	139.7	254	376	461	300
			141.3			462	
150	6	362	165.1	267	423.5	521	300
			168.3			523	
200	8	362	219.1	292	530.5	660	406