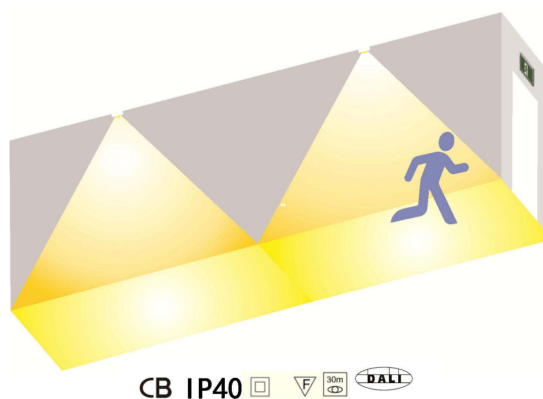


FONUX ESA12 EXIT EMERGENCY LIGHT

Brand: **Fonux** | Category: **Exit Emergency Light**

Product Datasheet	Website Know More PDF
Recommended Website Card Name	FONUX ESA12 EXIT EMERGENCY LIGHT
Source Datasheet	ESA12 Self Contained specificationsheet(3H) (1).pdf

SPECIFICATION SHEET FOR EXIT SIGN ESA12 Series

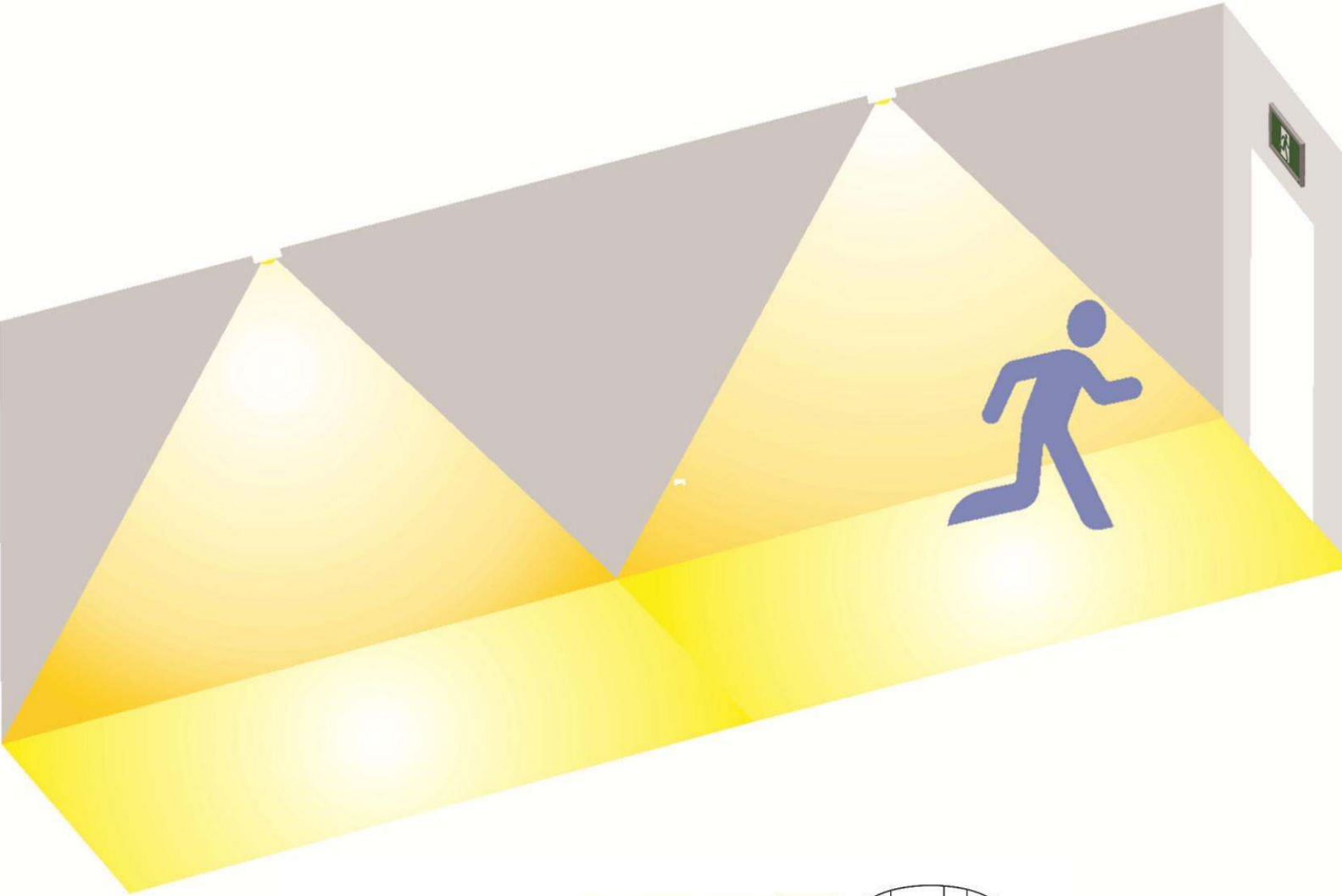


Key Details

- Exit sign luminaire
- 30m viewing distance
- Manual / auto test and DALI options

Original manufacturer / supplier datasheet pages are included after this cover page for technical reference.

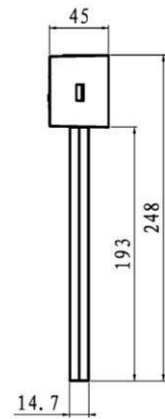
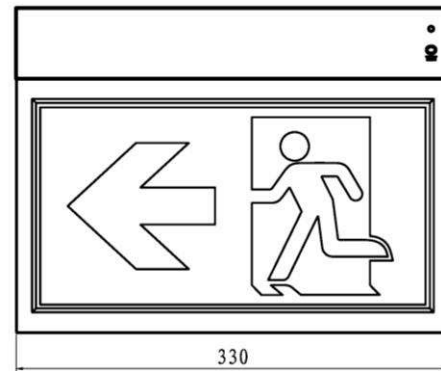
SPECIFICATION SHEET FOR EXIT SIGN ESA12 Series



CB IP40



Photo and Dimension



Feature

- Compact and decorative design.
- LED self contained luminaire with manual test and AUTO test optional.
- Ni-cad and Ni-MH battery optional.
- Single and double face universal.
- Replaceable pictogram design, including arrow right, left, down pictograms in package.
- High luminance model optional.
- Low operation cost via low power consumption.
- Maintained and non-maintained operation changeable.
- Material of luminaire compliant with the glow wire test at temperature of 850°C.
- RoHS compliance.

Technical Specification

Rated Power Supply	220-240VAC 50/60Hz
Central battery system (CBS) version available	DC176-254V input , 220-240VAC
Power consumption	Max. 3.5W
Charge time	24 hours
Discharge duration	3hours
Changeover voltage	144-187VAC
Test facility	Manual test and AUTO test, DALI interface available
Viewing distance	30m
Operation	Maintained
Mounting	Wall mounting and Ceiling mounting
LED	SMD 2835, CCT 6000K, CRI>70
Luminance of white area on pictogram	Normal luminance 200cd/m ² high luminance 500cd/m ²

Safe color of Pictogram

Pantone 336C or Pantone 348C optional

Degree of protection

IP40

Insulation Class

Class II

Housing material

ABS

Ambient temperature for normal model

-5 °C...+45 °C

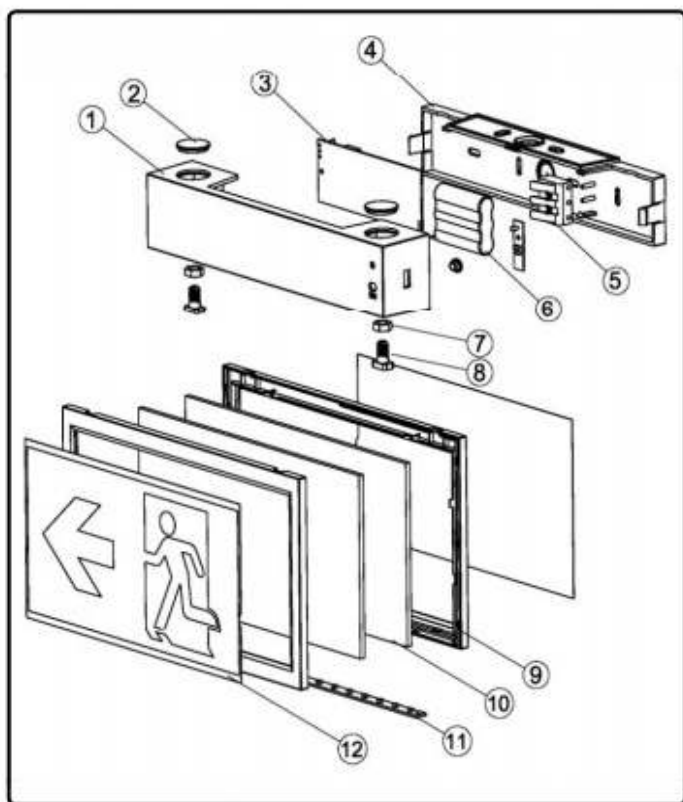
Ambient temperature for 500cdx and CBS model

0 °C...+40 °C

Certification

CB Certificate issued by TUV SUD, Singapore

Product Exploded



No.	Parts Name	Q'Y	Material
1	Housing	1pc	ABS
2	Hole plug	2pcs	ABS
3	Main PCBA	1pc	
4	Back plate	1pc	ABS
5	Terminal block	1pc	PA66
6	Battery	1pc	
7	Nut	2pcs	Steel
8	Connector	2pcs	PC
9	Frame	2pcs	ABS
10	Light guide	2pcs	PMMA
11	LED PCBA	1pc	
12	Pictogram	4pcs	PP

Order Guide

Family	Emergency Duration	Test Function	Battery
ESA12	3H: 3 hours	MT: Manual test	CD: Ni-cad battery MH: Ni-Mh battery
		AT: AUTO test	
		DA: DALI interface	

Note:

DA: is addressable lighting fitting. DALI options give further benefits to the user enabling the testing and monitoring of the emergency lighting system on site or via the internet.

Model List and Electric Rating

Model no.	Input voltage	Charge Duration	Discharge Duration	Battery	Power Consumption	Test Facility
ESA12/3H/MT/CD	220~240VAC 50/60Hz	24H	3hrs	Ni-cad battery 3.6V 1.0Ah	3.5W Max	Manual Test
ESA12/3H/AT/CD	220~240VAC 50/60Hz	24hrs	3hrs	Ni-cad battery 3.6V 1.0Ah	3.5W Max	AUTO Test
ESA12/3H/MT/MH	220~240VAC 50/60Hz	24hrs	3hrs	Ni-Mh battery 3.6V 1.0Ah	3.5W Max	Manual Test
ESA12/3H/AT/MH	220~240VAC 50/60Hz	24hrs	3hrs	Ni-Mh battery 3.6V 1.0Ah	3.5W Max	AUTO Test
ESA12/3H/DA/MH	220~240VAC 50/60Hz	24hrs	3hrs	Ni-Mh battery 3.6V 2.1Ah	3.5W Max	DALI

Pictogram Pack

Note: Universal 4 pcs pictogram to be supplied: 2x Arrow (1 left & 1 right) , 1x Exit (running man), 1x bank



Arrow right 1pc



Arrow left 1pc

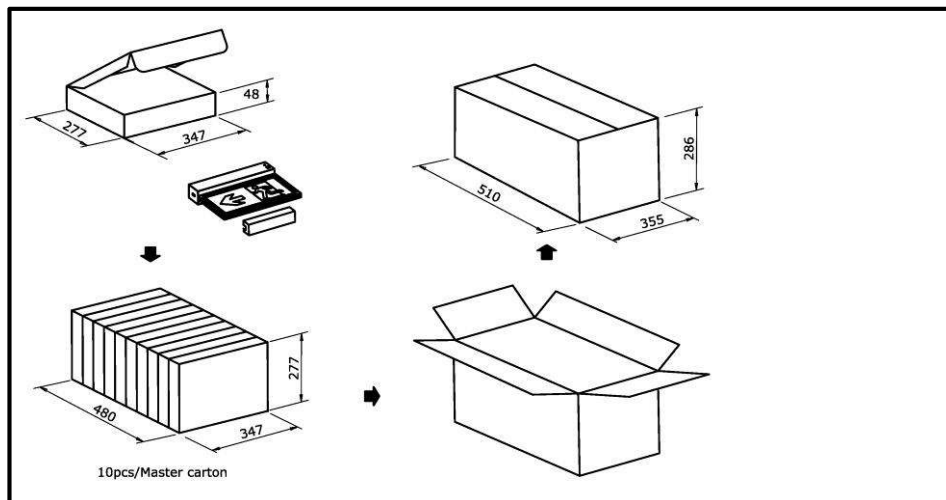


Without Arrow 1pc



Blank 1pc

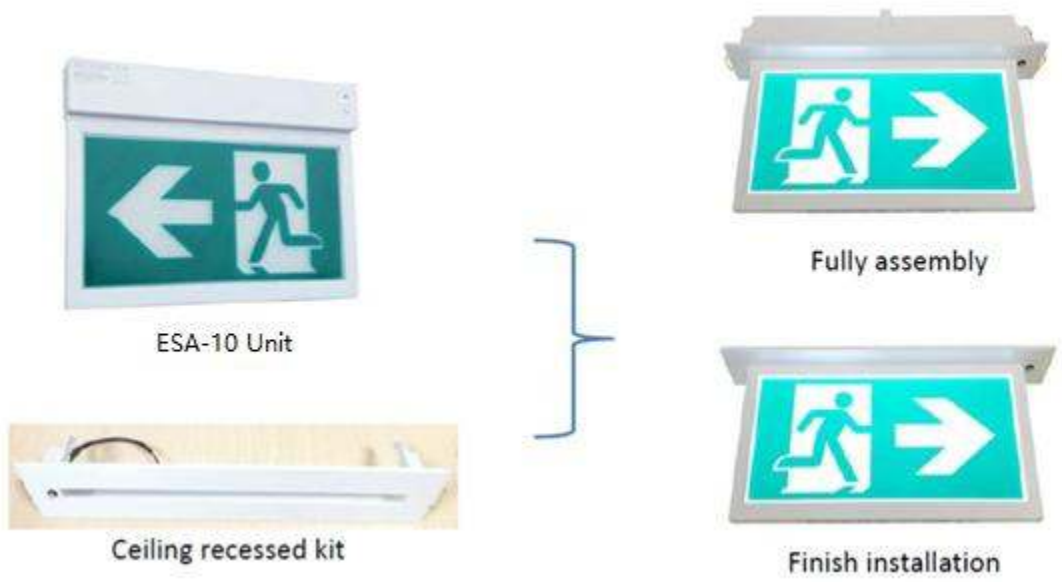
Packaging



Q'TY: 10 PCS
 N.W: 12.4 KGS
 G.W: 14.6 KGS
 MEA'S: 1.87 CUFT

OPTION:

Ceiling Recessed Kit Photo and Dimension



FEATURES

- ◆ Compact and decorative design.
- ◆ Cut out hole 370*55mm.
- ◆ Easy installation.
- ◆ Material of luminaire compliant with the glow wire test at temperature of 850°C
- ◆ RoHS compliance