



SECURE



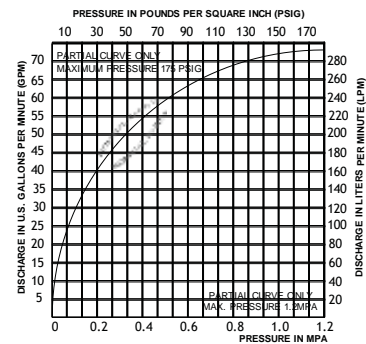
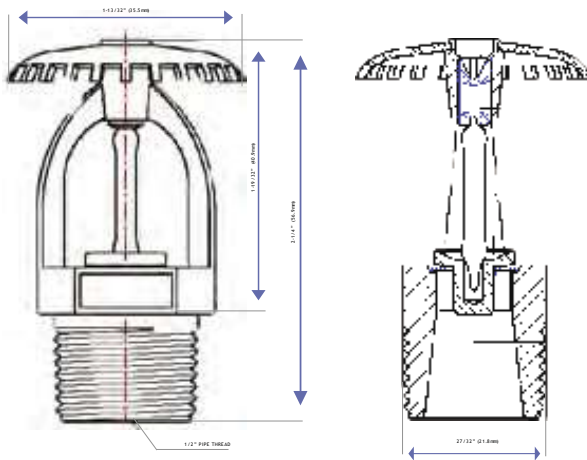
SECURE

**SE003U / SE004U
UPRIGHT SPRINKLER HEAD
STANDARD / QUICK RESPONSE**

EX27901



Technical Dimension:



Technical Specification:

Model & Sprinkler I.D No.	SE003U	SE004U
Style	UPRIGHT	
Response & Bulb Nominal Diameter	Standard response, B5mm	Quick response, B3mm
Temperature Classification	Ordinary	
Nominal Temperature Rating	135°F / 57°C	155°F / 68°C
Max. Ambient Temperature allowed ²	115°F / 46°C	135°F / 57°C
Max. Recommended Ambient Temp ³	100°F / 38°C	100°F / 38°C
Glass Bulb	Orange	Red
Thread Size (optional)	NPT 1/2 OR R 1/2	
Nominal Orifice Size	1/2 INCH	
Nominal K-factor	5.6 (US) / 80 (METRIC)	
Maximum working pressure	175 PSIG / 1.2 Mpa (12 BAR)	
Factory Hydrostatic Test	100% @ 500 PSIG (3.4Mpa)	
Min. Operating Pressure	7 PSIG / 0.048 Mpa (0.48 BAR)	
Sprinkler Finish (optional)	NATURAL BRASS OR CHROME PLATED	
Listing and approvals	UL	

