



SECURE

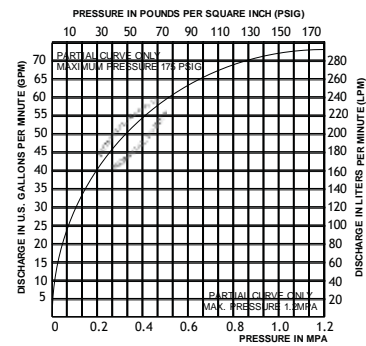
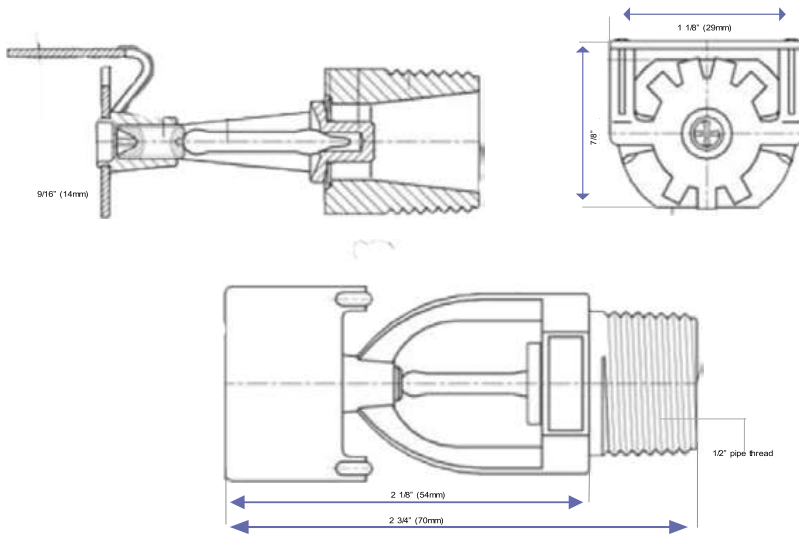


SECURE

SE001H / SE002H
HORIZONTAL SIDEWALL SPRINKLER HEAD
STANDARD / QUICK RESPONSE

EX27901

Technical Dimension:



Nominal Discharge Curve

Technical Specification:

Model & Sprinkler I.D No.	SE001H		SE002H	
Style	HORIZONTAL SIDEWALL			
Response & Bulb Nominal Diameter	Standard response, B5mm		Quick response, B3mm	
Temperature Classification	Ordinary	Ordinary	Intermediate	Intermediate
Nominal Temperature Rating	135°F / 57°C	155°F / 68°C	175°F / 79°C	200°F / 93°C
Max. Ambient Temperature allowed ²	115°F / 46°C	135°F / 79°C	155°F / 68°C	180°F / 82°C
Max. Recommended Ambient Temp ³	100°F / 38°C	100°F / 93°C	150°F / 65°C	150°F / 65°C
Glass Bulb	Orange	Red	Yellow	Green
Thread Size (optional)	NPT 1/2 OR R 1/2			
Nominal Orifice Size	1/2 INCH			
Nominal K-factor	5.6 (US) / 80 (METRIC)			
Maximum working pressure	175 PSIG / 1.2 Mpa (12 BAR)			
Factory Hydrostatic Test	100% @ 500 PSIG (3.4Mpa)			
Min. Operating Pressure	7 PSIG / 0.048 Mpa (0.48 BAR)			
Sprinkler Finish (optional)	NATURAL BRASS OR CHROME PLATED			
Listing and approvals	UL			

www.alrayandxb.com

Al Qusais Industrial area 4, Dubai, United Arab Emirates ; Tel# 042630396; 042525333; rayandxb@eim.ae

