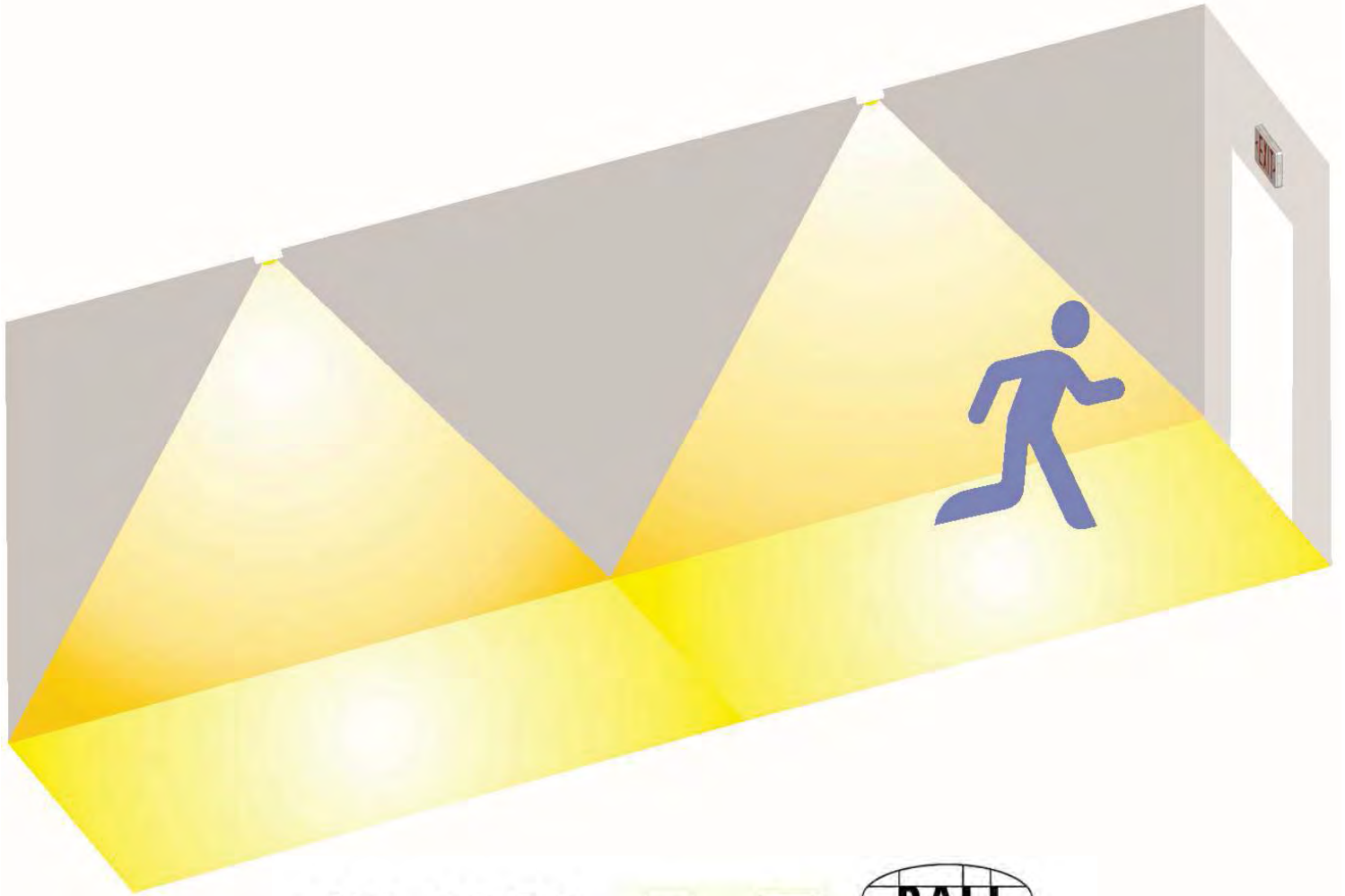


# SPECIFICATION SHEET FOR LED Emergency down Light EMDS2 Series



**CB IP20**



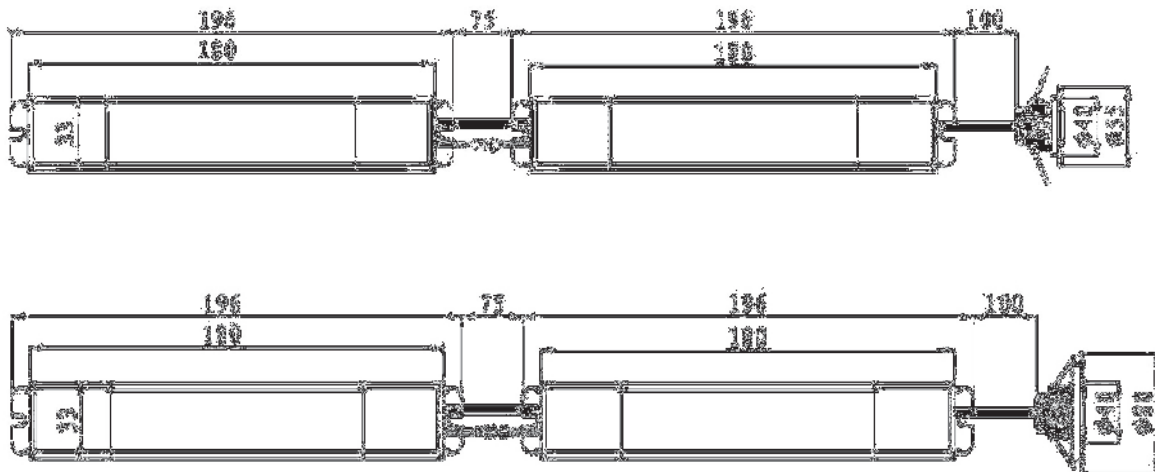
## Photo and Dimension



EMDS2 Dia. 55mm trim plate



EMDS2 Dia. 80mm trim plate



## Technical Specification

Rated Power Supply	220-240VAC 50/60Hz
Power consumption	Max. 5W
Charge time	24 hours
Discharge duration	3 hours
Battery	Ni-MH battery
Changeover voltage	144-187VAC
Test facility	DALI and AUTO test
Operation	Maintained and Non-maintained

Mounting	Ceiling recessed mounting
Cut hole	D80: Dia. 66-70mm D55: Dia. 42-50mm
Lighting source	3535 LED, 6500K
Luminous flux	180 lm
Degree of protection	IP20, indoor use
Insulation Class	Class II
Ambient temperature	0°C...+40°C
<b>Certification</b>	<b>CB Certificate issued by TUV SUD, Singapore</b>

## Complies standard

EN 60598-1, EN 60598-2-22, EN61347-1,EN61347-2-7, EN61347-2-13,  
EN 62493, EN 55015, EN 61547, EN61000-3-2, EN61000-3-3

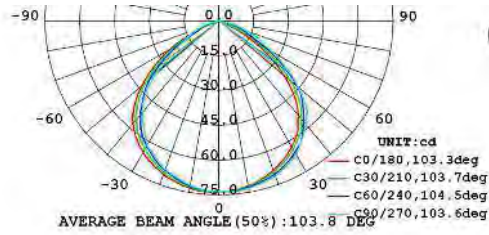
## Order Guide

Model No.	Duration	Emergency test function	Battery	Trim plate
<b>EMDS2</b>	<b>3H:</b> 3 Hours	<b>AT:</b> AUTO Test  <b>DA:</b> DALI Interface	Blank: Ni-MH battery	Blank: Dia. 55mm round cover  <b>D80:</b> Dia. 80mm round cover

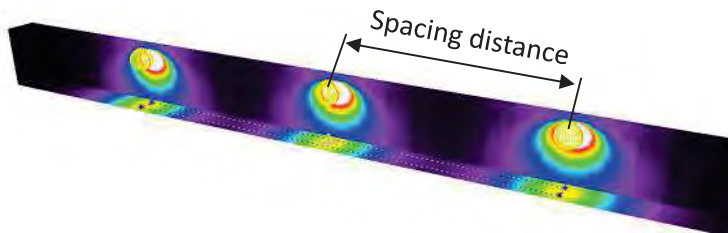
## Model list

Model No.	Input	Test facility	Charge time	Discharge time	Battery	Trim plate	Lumen output
EMDS2/3H/AT	220-240VAC, 50/60HZ	Auto test	24hours	3H	Ni-MH battery 3.6V 2.6Ah	D55	180lm
EMDS2/3H/AT/DA80				3H	Ni-MH battery 3.6V 2.6Ah	D80	
EMDS2/3H/DA	220-240VAC, 50/60HZ	DALI	24hours	3H	Ni-MH battery 3.6V 2.6Ah	D55	180lm
EMDS2/3H/DA/DA80				3H	Ni-MH battery 3.6V 2.6Ah	D80	

## Photometric

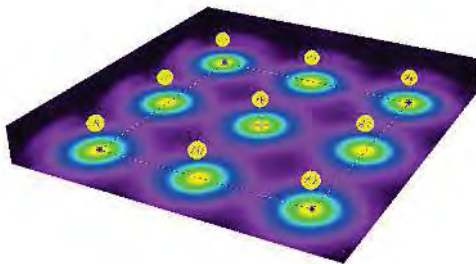


### For escape route



Mounting Height			
2.5m	4.8m	12.0m	4.8m
3.0m	5.4m	13.5m	5.4m
3.5m	5.8m	14.5m	5.8m
4.0m	6.2m	15.5m	6.2m

### For anti-panic area



Mounting Height					
2.5m	3.0m	10.0m	9.0m	7.5m	4.0m
3.0m	3.2m	11.0m	10.0m	8.0m	4.4m
3.5m	3.4m	11.5m	10.0m	8.5m	4.6m
4.0m	3.6m	12.0m	11.0m	9.0m	4.8m