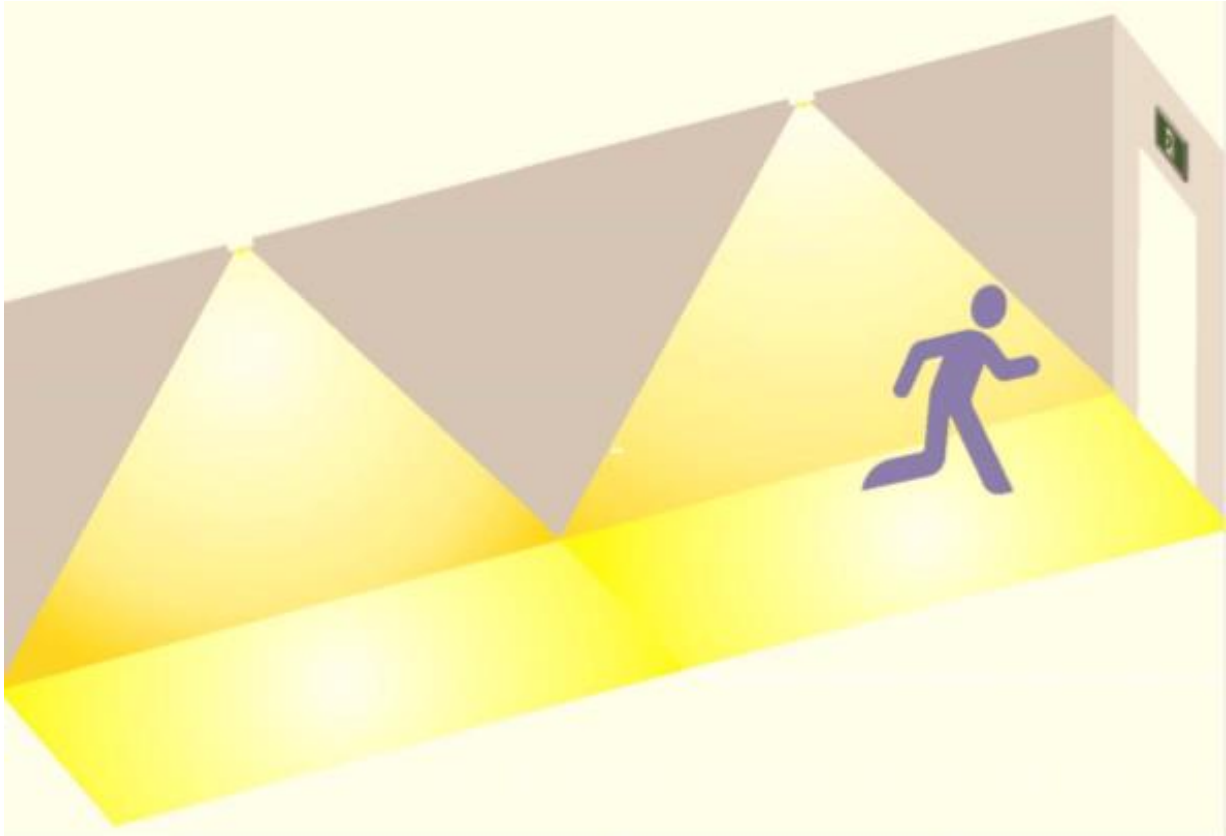


Specification Sheet For Emergency light BK3 Series



ShenZhen Garrini Electronics Co.,Ltd

Add: 2-1906, No.9013 Bin He Da Dao, Shenzhen, China

Tel: +86-755-82147232, 82143891

Fax: +86-755-82147223

<http://www.garrini.com>

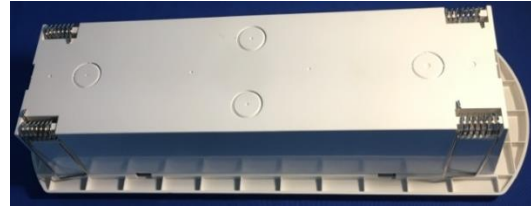
Email:shelley@garrini.com

INPUT VOLTAGE :

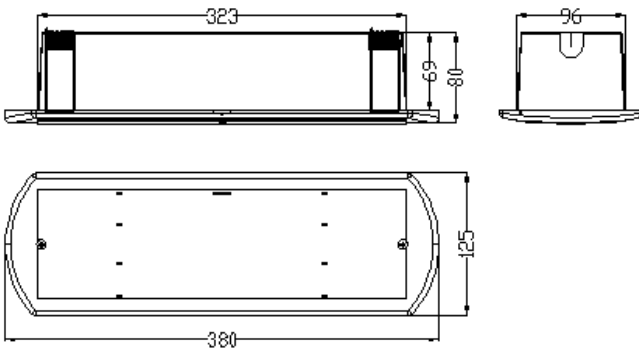
220-240VAC

OUTPUT LUMENS:

200 LM 3Hrs



DIMENSIONS



Recessed mounted

STANDARD FEATURES



- ◆ PC Housing
- ◆ IP44 for lens side
- ◆ IK 06 protection rating
- ◆ Suitable for damp location.
- ◆ Suitable for use in 5~45°C ambient temperature.
- ◆ RoHS Compliant.
- ◆ Recessed ceiling mounted
- ◆ Warranty: **5 Years for fixture, 5 Years for Battery.**

ELECTRICAL FEATURES

- ◆ Input Voltage: 220~240Vac, 50Hz
- ◆ Input Power Rating : 3.5 Watts max, SMD LED
- ◆ LED color temperature: 6000K-7000K
- ◆ **Output lumens 200lm**
- ◆ Maintain and Non-maintain is switchable option
- ◆ Battery : 3.2V 1500mAh 18650type
- ◆ Discharge Operation : 3 Hours
- ◆ Recharge Time : 24 Hours
- ◆ LED indicator light and push button test switch.

CERTIFICATION

UL certificate



ORDER GUIDE

Model no.: BK3-ACEM-Z

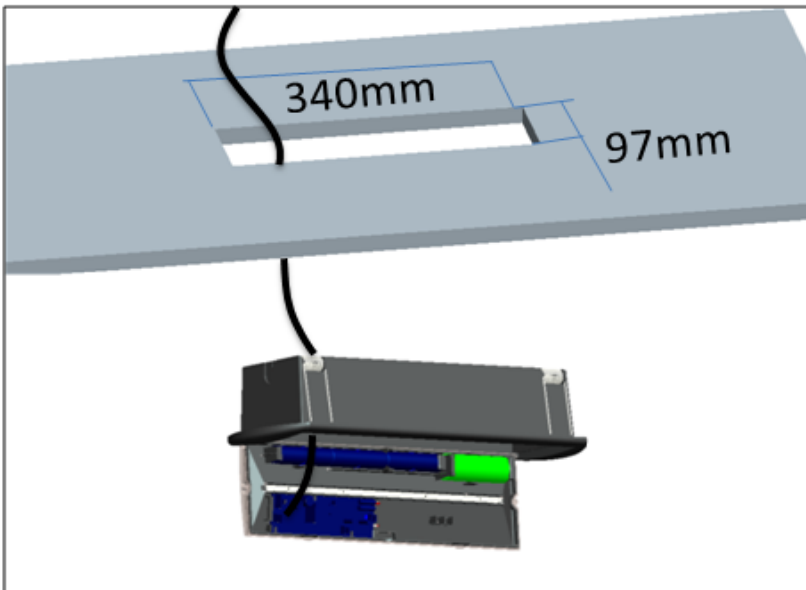
- ◆ Common Non-maintained & Maintained switchable self-contained emergency light
- ◆ **Manual test**

Model no.: BK3-DALI-Z

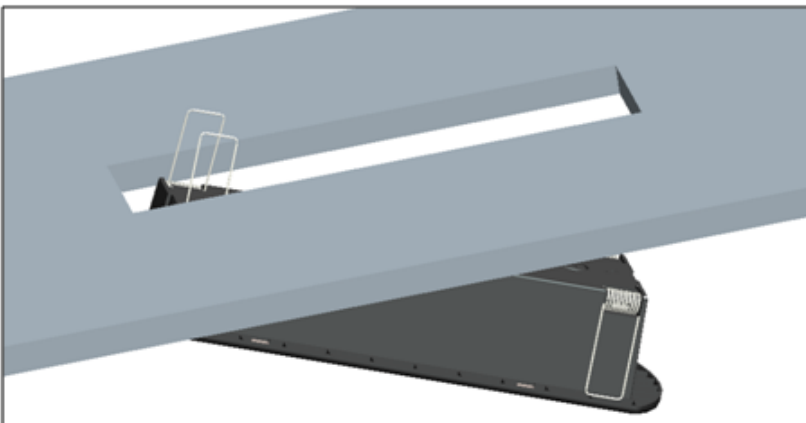
- ◆ **Using for monitoring system**
- ◆ Addressable lighting fitting.
- ◆ DALI options give further benefits to the user enabling the testing and monitoring of the emergency lighting system on site or via the internet.
- ◆ **DALI interface test**

Note: Z: can be White or black to represent Main Enclosure color

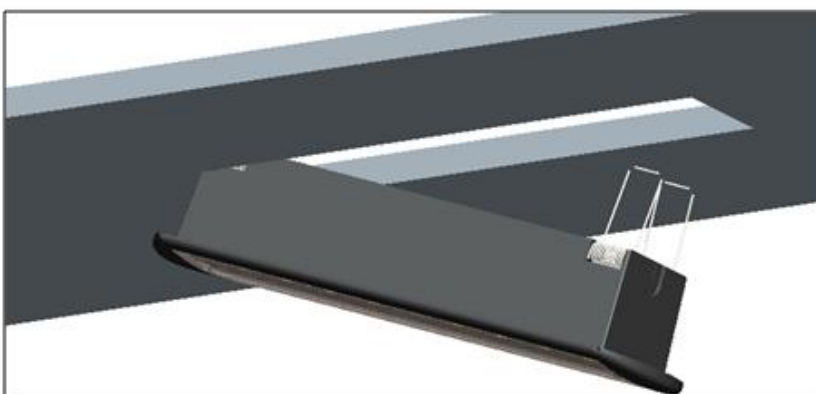
Recessed Mounting



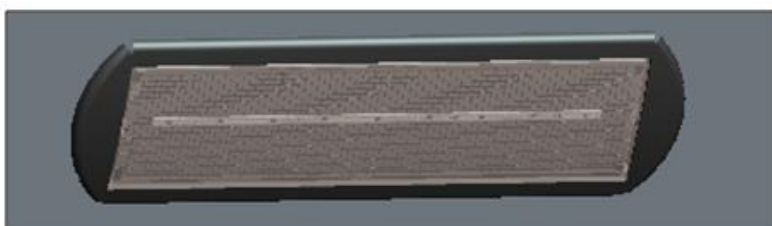
Cut hole size 340x97mm
Open the gear tray, Lead
AC wire through the hole
to back box, connect to
PCBA terminal block



Bend back two springs and
Inset back box into the
ceiling

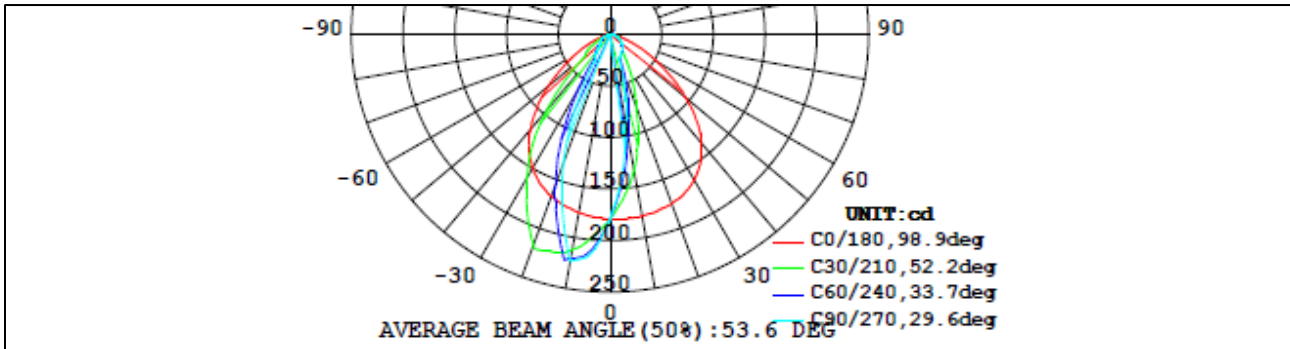


Bend back two springs and
Inset back box into the
ceiling

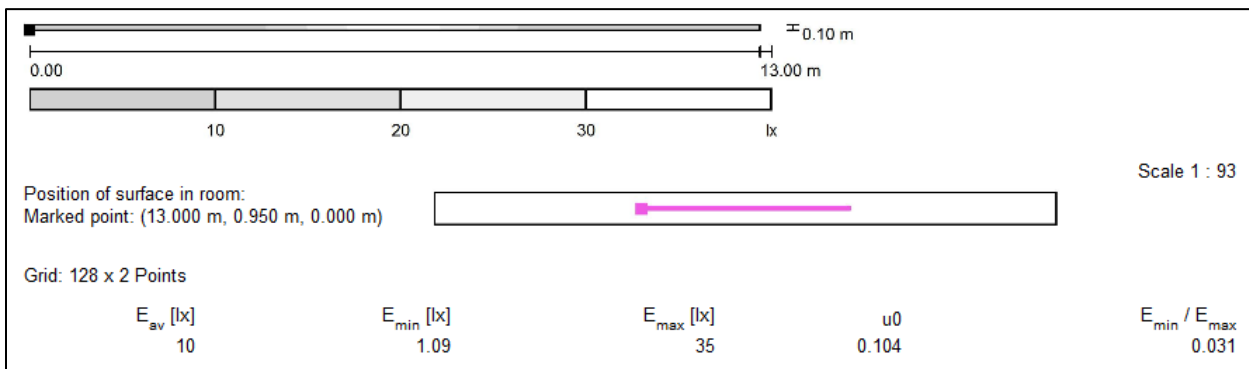
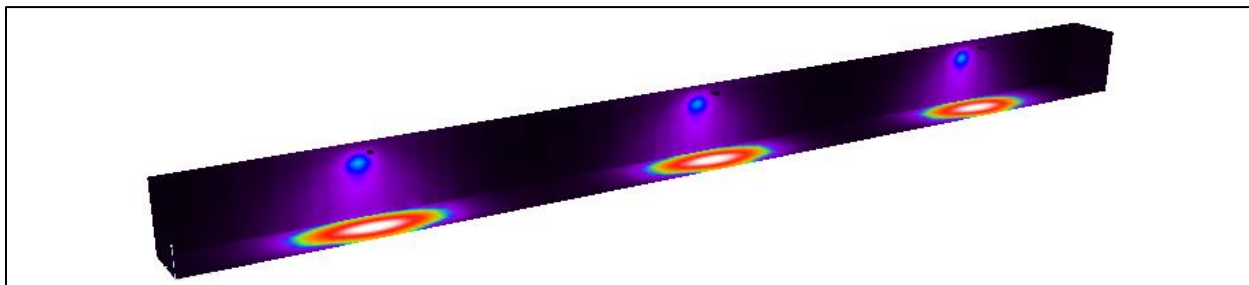
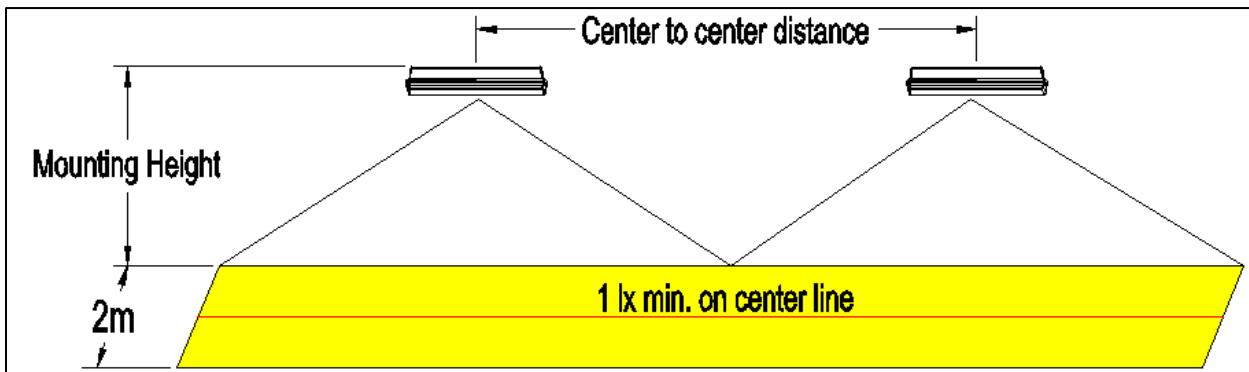


Photometric for EU standard (EN1838)

Luminous intensity distribution



Luminaire mounting space (EU version model)

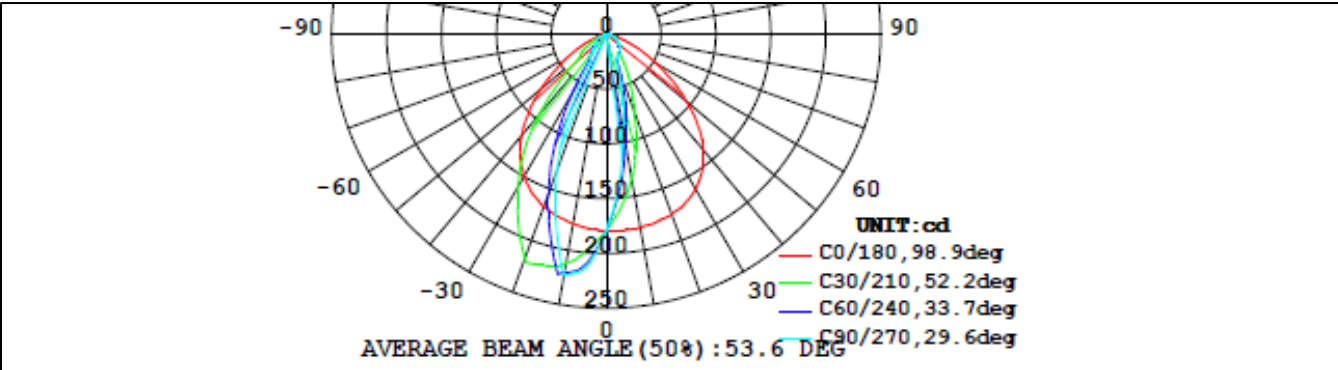


Mounting Height	Center to center distance
2.5m	13m
3.0m	14m
3.5m	15m

Compliant EUROPE standard EN1838 illuminance requirement:
Escape route up to 2 m wide, 1 lx on the central axis and 0.5 lx at 50% of the width.

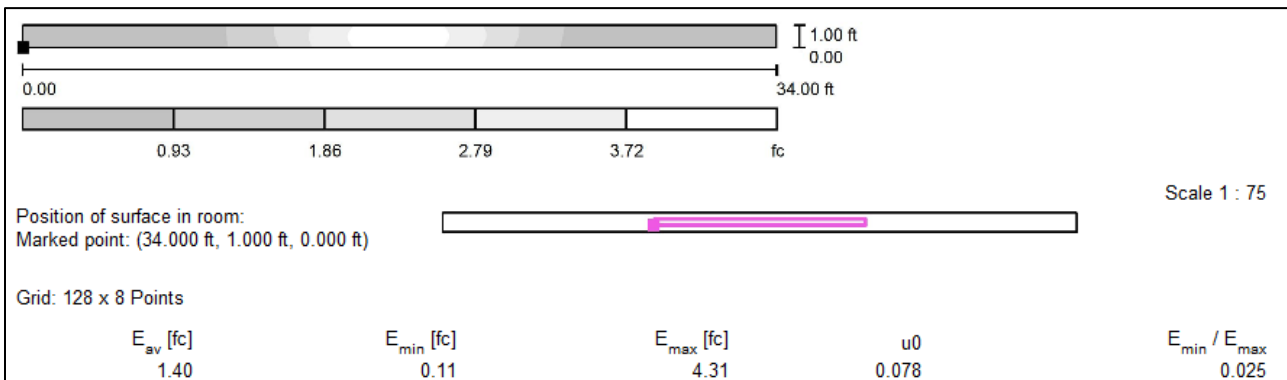
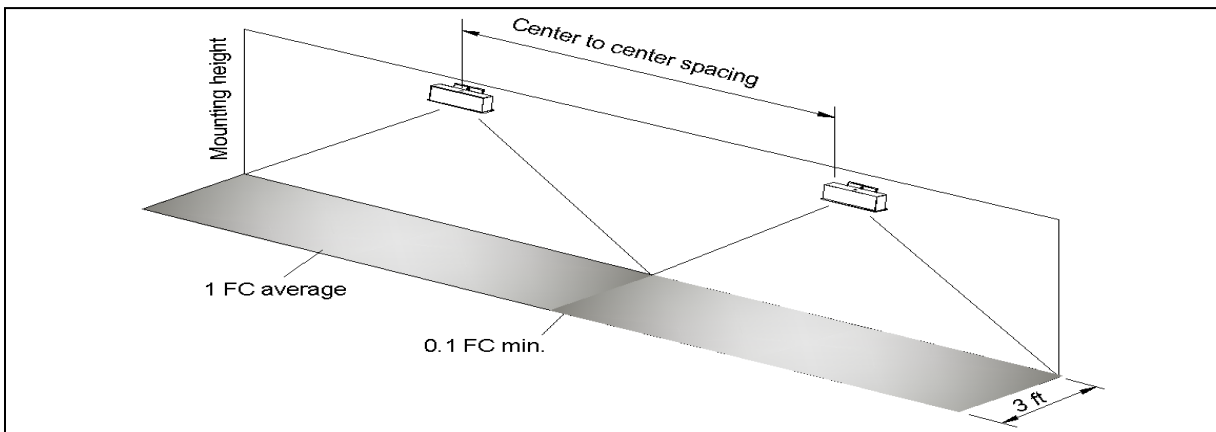
Photometric for US standard(UL924)

Luminous intensity distribution



Center to Center Spacing

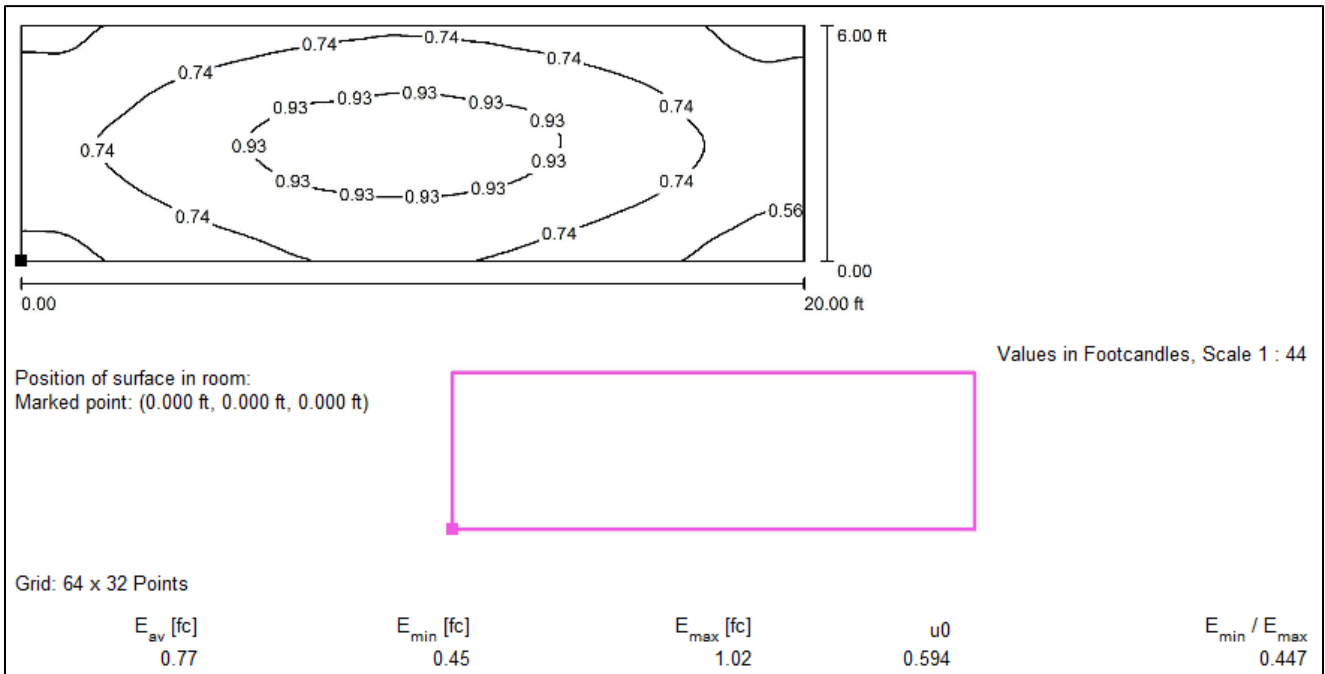
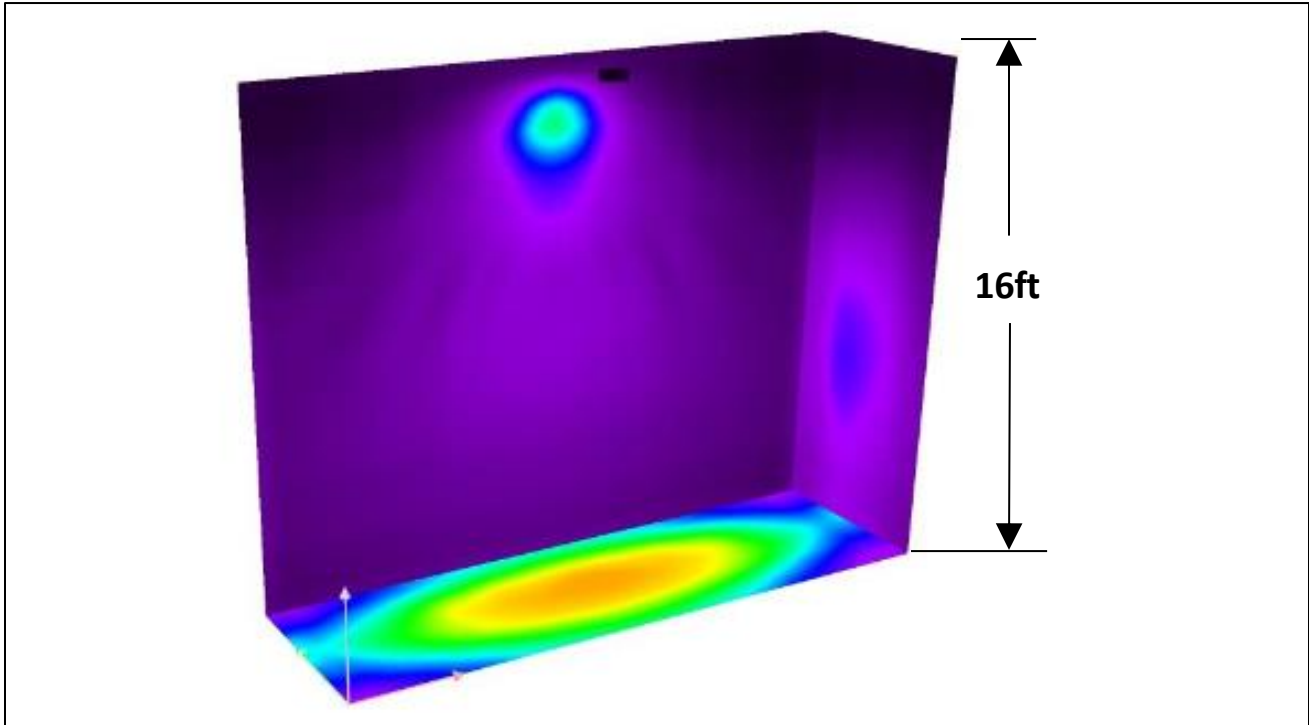
NFPA 101 requires 1.0 foot-candle average and 0.1 foot-candle minimum with a 40:1 maximum/minimum ratio. The corridor used is 100 feet long, 9 feet ceiling with a 6 feet wide walkway and 3 feet path of egress. The reflectance are 80% ceiling, 50% walls and 20% floors. The fixture mounting height is 7.5 feet.



No.	Spacing @ 7.5 feet mounting height	Spacing @ 10 feet mounting height
1	34 feet	34feet

Photometric for US standard(UL924)

Mounting Height



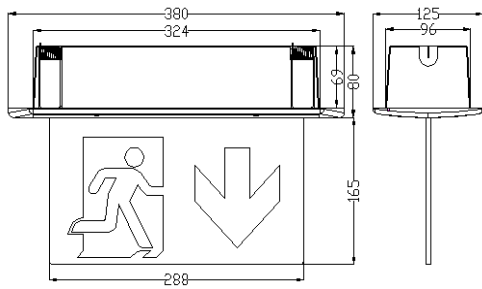
INPUT VOLTAGE :
220-240VAC

OUTPUT LUMENS:
VIEW DISTANCE 30M



Recessed ceiling mounted

DIMENSIONS



Insert an Acrylic panel with PP pictogram

STANDARD FEATURES



- ◆ PC Housing
- ◆ Changeable pictogram
- ◆ IP44 for lens side
- ◆ IK 06 protection rating
- ◆ Suitable for damp location.
- ◆ Suitable for use in 5~45°C ambient temperature.
- ◆ RoHS Compliant.
- ◆ Recessed ceiling mounted
- ◆ Warranty: **5 Years for fixture, 5 Years for Battery.**

ELECTRICAL FEATURES

- ◆ Input Voltage: 220~240Vac, 50Hz
- ◆ Input Power Rating : 3.5 Watts max, SMD LED
- ◆ LED color temperature: 6000K-7000K
- ◆ **Output lumens 200lm @opal lens**
- ◆ Maintain and Non-maintain is switchable option
- ◆ Battery : 3.2V 1500mAh 18650type
- ◆ Discharge Operation : 3 Hours
- ◆ Recharge Time : 24 Hours
- ◆ LED indicator light and push button test switch.

CERTIFICATION

UL certificate



ORDER GUIDE

Model no.: BK3-ACEM-EL

- ◆ Common Non-maintained & Maintained switchable self-contained emergency light
- ◆ **Manual test**

Model no.: BK3-DALI-EL

- ◆ **Using for monitoring system**
- ◆ Addressable lighting fitting.
- ◆ DALI options give further benefits to the user enabling the testing and monitoring of the emergency lighting system on site or via the internet.
- ◆ **DALI interface test**

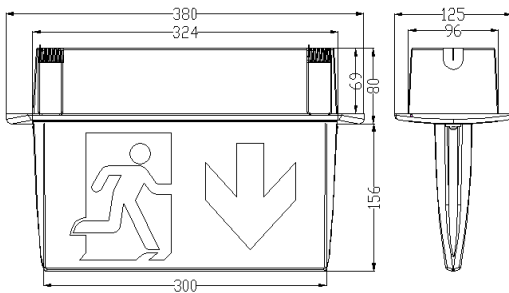
INPUT VOLTAGE :
 220-240VAC

OUTPUT LUMENS:
 VIEW DISTANCE 30M



Recessed ceiling mounted

DIMENSIONS



Insert an Acrylic box with PP pictogram

STANDARD FEATURES



- ◆ PC Housing
- ◆ Changeable pictogram
- ◆ IP44 for lens side
- ◆ IK 06 protection rating
- ◆ Suitable for damp location.
- ◆ Suitable for use in 5~45°C ambient temperature.
- ◆ RoHS Compliant.
- ◆ Recessed ceiling mounted
- ◆ Warranty: **5 Years for fixture, 5 Years for Battery.**

ELECTRICAL FEATURES

- ◆ Input Voltage: 220~240Vac, 50Hz
- ◆ Input Power Rating : 3.5 Watts max, SMD LED
- ◆ LED color temperature: 6000K-7000K
- ◆ **Output lumens 200lm @opal lens**
- ◆ Maintain and Non-maintain is switchable option
- ◆ Battery : 3.2V 1500mAh 18650type
- ◆ Discharge Operation : 3 Hours
- ◆ Recharge Time : 24 Hours
- ◆ LED indicator light and push button test switch.

CERTIFICATION

UL certificate



ORDER GUIDE

Model no.: BK3-ACEM-RM

- ◆ Common Non-maintained & Maintained switchable self-contained emergency light
- ◆ **Manual test**

Model no.: BK3-DALI-RM

- ◆ **Using for monitoring system**
- ◆ Addressable lighting fitting.
- ◆ DALI options give further benefits to the user enabling the testing and monitoring of the emergency lighting system on site or via the internet.
- ◆ **DALI interface test**