



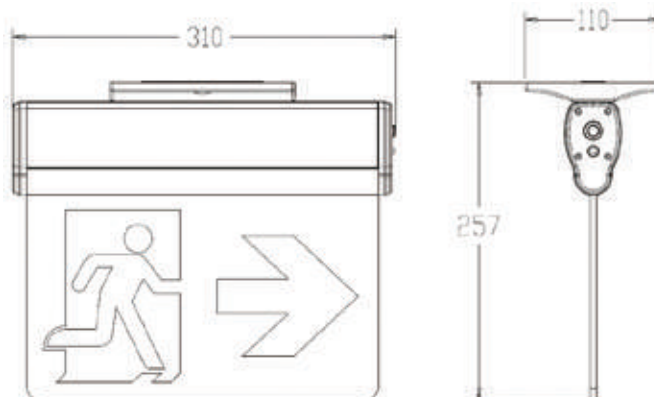
CR-7008M- 220 LED RUNNING MAN EXIT SIGN

Features:

- * Injection - molded Thermoplastic ABS housing
- * UL-94V-0 flame rating, fire resistant
- * Input Voltage: 120-277VAC; 50/60 Hz
- * Power consumption: 3W max
- * Output: 1W max
- * 3.6V Nickel Cadmium Battery
- * Charging time: 24 hours
- * Discharge time: 3 hours
- * Working time: 180 minutes
- * Operating temperature: 0°C~40°C
- * Dimension: 310*257*110mm



Dimensions:



Pictogram:



Arrow right 2pcs



Without Arrow 1pc