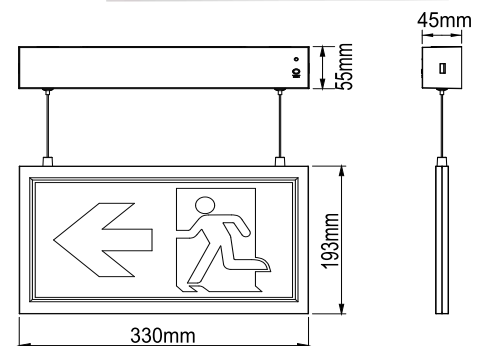


ESA - 11 EXIT EMERGENCY LIGHT



Standard Features:

- * Compact and decorative design
- * LED self contained luminaire with manual test and AUTO test optional
- * Ni-Cad and Ni-MH battery optional
- * Single and double face universal
- * Replaceable pictogram design including **arrow right, left and down**
- * High Luminance model optional
- * Low operation cost via low power consumption
- * Maintained and non-maintained operation changeable
- * Material of luminaire compliant with the glow wire test at temperature of 850°C
- * RoHS compliance



Technical Specification:

- | | | |
|--|---|---|
| * Rated Power Supply | : | 220 ~ 240 VAC 50/60Hz |
| * Central Battery System | : | |
| CBS version available | : | DC 176-254V input, 220 ~ 240VAC |
| * Power Consumption | : | Max 3.5W |
| * Charge time | : | 24 Hours |
| * Discharge duration | : | 3 hours |
| * Battery | : | Ni-Cad battery / Ni-MH battery |
| * Changeover voltage | : | 144-187VAC |
| * Test Facility | : | Manual Test, AUTO test and DALI interface available |
| * Viewing distance | : | 30m |
| * Operation | : | Maintained and Non-maintained |
| * Mounting | : | Wall mounting and Ceiling mounting |
| * LED | : | SMD 2835, CCT 6000K, CRI>70 |
| * Luminance or white | : | Normal Luminance 200cd/m ² |
| | : | High Luminance 500cd/m ² |
| * Insulation class | : | Class II |
| * Housing material | : | ABS |
| * Ambient temp for normal | : | -5°C... +45°C |
| * Ambient temp for 500cdx
and CBS model | : | 0°C... +40°C |