



VG-6627

ADDRESSABLE SMOKE DETECTOR



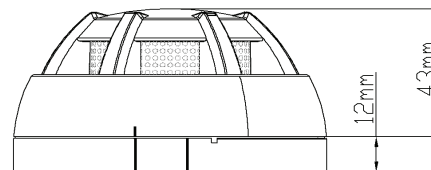
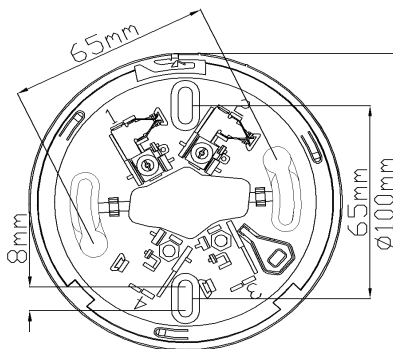
VG-6627 Addressable Smoke Detector can compensate the variation of environmental parameters and judge fire alarms through algorithm fixed inside the excellent MCU and send current operating state, smoke concentration, environment parameter etc. to control panel via digital signal transmission. With pleasing appearance, it is easy to install and maintain. The detector is suitable for hotels, restaurants, computer rooms, banks, malls, warehouses, libraries, museums, offices and places with heavy moistures among the air.

Besides, it is also applicable for places where black smokes occurred when there is fire.

Features:

- Addressable Smoke Detector
- Advanced embedded MCU
- Drift compensation makes it environment adaptable
- 360° visible LED driven by Control panel
- Manually addressing via a dedicated hand held programmer
- Designed to comply with EN 54-7

VG-6617
Add detector base



Technical Data:

Operating Voltage:	16-28V(Modulated-pulse)
Standby Current:	≤0.5mA
Alarm Current:	≤1.0 mA
Wiring Two-wire (non-polarized)	
Temperature range:	-10°C~50°C
Humidity:	≤95%RH, (40±2°C) No condensation
LED Alarm Indication:	Red light emitting
LED Polling Indication:	Red light flashing
IP Rating:	32