



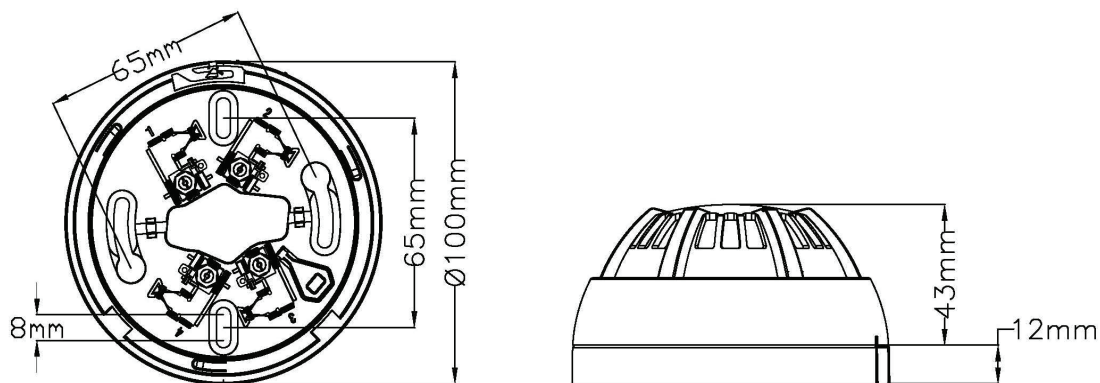
VG-6737 ADDRESSABLE SOUNDER BEACON



VG-6737 Addressable Sounder Beacon will make loud alarm sound and optical indication at the same time when fire was detected by fire detection and fire alarm system. The sounder beacon can be clearly heard and visible observed as a danger signal. With the pleasing appearance, it is also easy to install and maintain.

Feature:

- * 16 Tone Available
- * Type A: Indoor use
- * 4 sounder output level
- * Addressable Sounder Beacon
- * Sounder/Optical indication switchable
- * High luminance, low-power LED visual alarm display
- * Designed to comply with EN54-3



VG-6619
ADD DETECTOR BASE

Technical Data:

Operating Voltage :	16-28V (Modulated-pulse)	Standby Current :	<0.3mA
Alarm Current(AVG) :	<8 mA	Wiring :	Two-wire (non-polarized)
IP Rating: :	21C	Visual Alarm Indication:	0.2s light on; 0.8s light off
Temperature range :	-10 ~50	Humidity :	≤95%RH, (40±2) No condensation