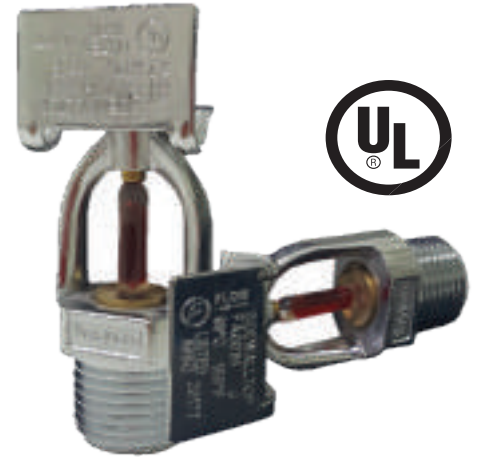




SE001H / SE002H HORIZONTAL SIDEWALL SPRINKLER HEAD STANDARD SPRAY / QUICK RESPONSE



Nominal Discharge curve:

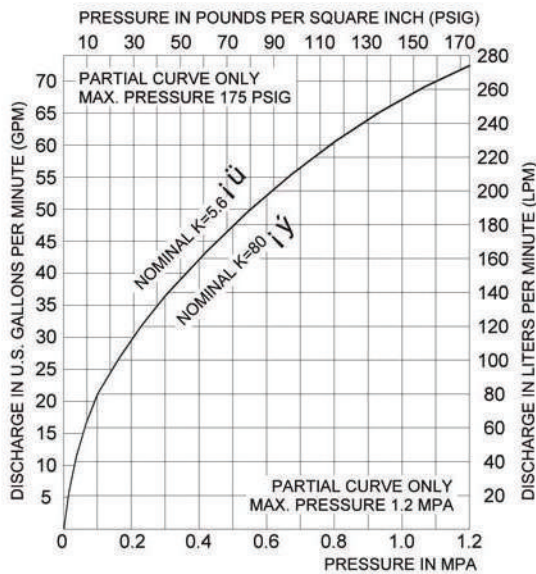
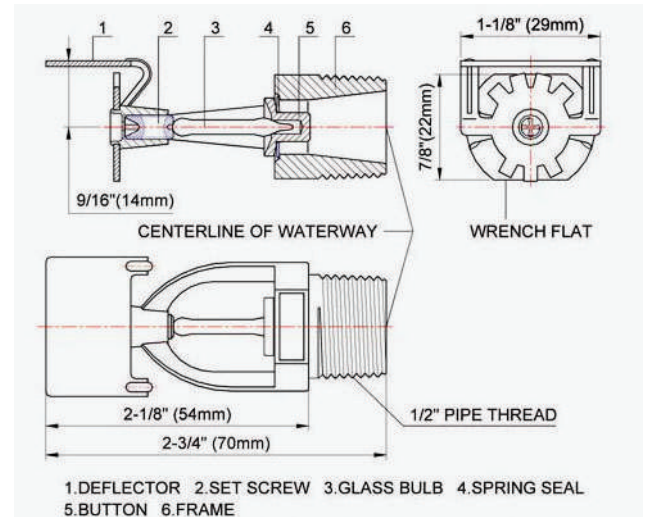


FIGURE B : NOMINAL DISCHARGE CURVE

Dimensions:



Technical Specification:

Model & Sprinkler I.D. No. ¹	SE001H		SE002H	
Style	Horizontal Sidewall			
Response & Bulb Nominal Dia.	Standard Response, Ø5mm		Quick Response, Ø3mm	
Temp. Classification	Ordinary	Ordinary	Intermediate	Intermediate
Nominal Temp. Rating	135°F / 57°C	155°F / 68°C	175°F / 79°C	200°F / 93°C
Max. Ambient Temp. Allowed ²	115°F / 46°C	135°F / 57°C	155°F / 68°C	180°F / 82°C
Max. Recommended Ambient Temp. ³	100°F / 38°C	100°F / 38°C	150°F / 65°C	150°F / 65°C
Glass Bulb Color ⁴	Orange	Red	Yellow	Green
Thread Size [Optional]	<input type="checkbox"/> NPT1/2 or <input type="checkbox"/> R1/2 ⁵			
Nominal Orifice Size	1/2 Inch			
Nominal K-Factor ¹	5.6 (U.S.) / 80 (metric)			
Max. Working Pressure	175 psig / 1.2 MPa (12 bar)			
Factory Hydrostatic Test	100% @ 500psig (3.4 MPa)			
Min. Operating Pressure	7 psig / 0.048 MPa (0.48 bar)			
Sprinkler Finish [Optional]	<input type="checkbox"/> Natural Brass or <input type="checkbox"/> Chrome Plated			
Listings and Approvals ⁶	UL(United States)			