

## SI-6647

Addressable Multisensor Detector

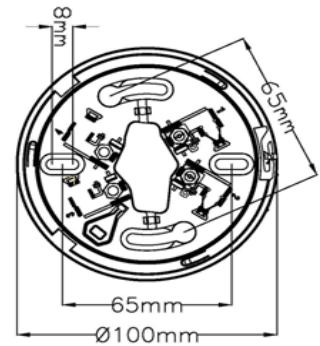


### OVERVIEW

SI-6647 Multisensor Detector is fully complied with EN54-5 & EN54-7. It contains an optical smoke sensor and thermistor temperature sensor. The smoke sensor and heat sensor are in two independent fire detection system but occupies only one address point. With the pleasing appearances, it is easy to install and maintain.

### FEATURES

- ▶ Addressable Multisensor Detector
- ▶ Advance embedded MCU
- ▶ Drift compensation makes it environment adaptable
- ▶ Twin 360deg visible LED driven by control panel
- ▶ Manually addressing via a dedicated hand held programmer
- ▶ Two temperature response modes A1R/A2
- ▶ Designed to comply with EN 54-5 & EN54-7



### TECHNICAL DATA

Operating Voltage	:	16-28V (Modulated - pulse)
Standby Current	:	≤0.5mA
Alarm Current	:	≤1.0mA
Wiring	Two-wire (non-polarized)	
Detector classification	:	A1R or A2
Temperature Range	:	-10°C~50°C
Humidity	:	≤95%RH, (40±2°C) No condensation
LED Alarm indication	:	Red light emitting
LED Polling Indication	:	Red light Flashing
IP Rating	:	32

