

RE-102/104

Conventional Fire alarm control panel



OVERVIEW

RE - 102/104 is a right blend of affordability design, user friendly, latest technology and quality for fire alarm panels. While implementing the latest in microprocessor technology for conventional panels ease to operate along with clear visible indications come at an advantage for the end user.

These are stand alone panels with 2 & 4 zone versions. It has the optional facility for zone wise sounder / relay contacts.



FEATURES

- ▶ As per IS-2189 standard
- ▶ Standby battery back-up with built-in charging
- ▶ Fire / Fault status in unambiguous colored LED indication
- ▶ Switch mode power supply
- ▶ Tactile keypad for easy panel operation
- ▶ System on indication
- ▶ Main, Standby status indication
- ▶ Low battery visual warning with audible tone
- ▶ Relay output for actuators for Fire and Fault
- ▶ Lamp Test Facility
- ▶ Zone wise one man walk test facility
- ▶ Zone wise isolation facility with loop voltage cut off
- ▶ Compatible to all type of Conventional Detectors
- ▶ Optional zone wise sounder / Zone wise control
- ▶ Switch mode power supply
- ▶ Modular construction, serviceable
- ▶ Surface mount technology
- ▶ Battery polarity & deep discharge protection

ELECTRICAL SPECIFICATION

Primary power	: 120 / 220VAC, 50Hz
Standby power	: 24V D.C (2 nos of 12V, 7Ah Sealed Lead Acid Battery)
Operating Temperature	: 0-49° C/32 - 120°F
Relative Humidity	: 93 ± 2% RH (non-condensing) at 32 ± 2° C/90 ± 3°F
Charging Voltage	: 28.2 V±0.5V
Charging current	: 0.5A (Max.)
Wiring	: Class B
Operating Nominal Voltage	: 24 VDC Nominal
Current for NACs	: 1A
End-of-Line Resistor	: 4K7, 1/4watt

PRODUCT DATA SHEET

ELECTRICAL SPECIFICATION

Normal Operating Voltage : Nominal 24VDC
 Alarm Current : 15 - 35mA
 Short circuit current : 42mA Maximum
 Loop resistance : 50 Ω Maximum
 End-of-Line Resistor : 4.7K 1/4watt
 Standby current : 6.8mA
 (2.4mA for detectors)

Normal Operating Voltage : 4-8 VDC
 Short circuit current : 3mA Maximum
 Loop resistance : 100 Ω Maximum
 End-of-Line Resistor : 4.7K 1/2watt
 Standby current : 1.25mA

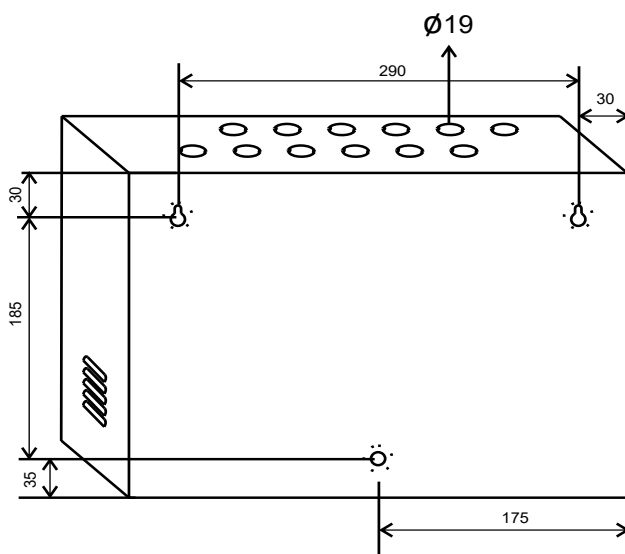
Type : Form C
 No of Relays : 3
 Relay contact rating : 2Amps @3DVDC
 : 2Amps @3DVAC

Power factor : 0.6

DIMENSION

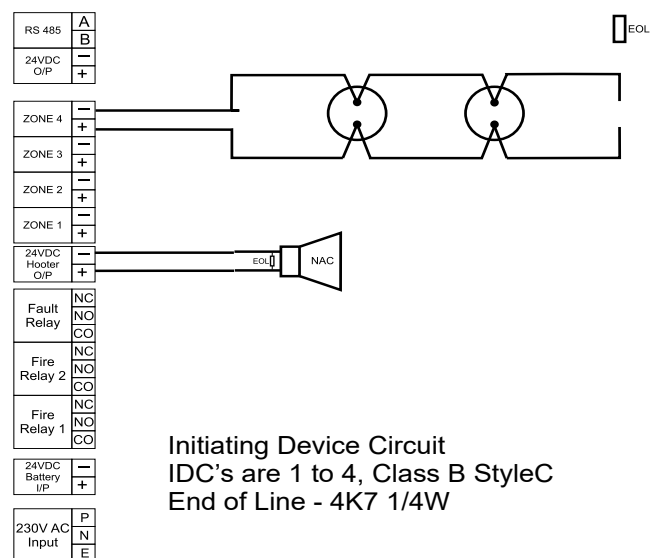
Dimension : 350W x 250H x 100D
 Color : Red / White
 Construction : 18 gauge (1.22mm)
 : CRCA sheet w/ powder coat
 IP rating : IP50
 Cable Entry : 11 x 19mm Knockout in top

Mounting Details



Note:- All Dimensions are in MM

Wiring Diagram



Initiating Device Circuit
 IDC's are 1 to 4, Class B StyleC
 End of Line - 4K7 1/4W