

PRODUCT DATA SHEET

RE-717 MM
Addressable Monitor Module



OVERVIEW

RE- 717 MM Monitor Module facilitates third party devices to interface with Ravel make addressable panel. Monitor Module is an input interface device for devices like security contacts, waterflow switches, pull stations etc. The RED blinking LED indicates normal operating conditions and the steady state LED for activated conditions. DIP switches are provided for addressing of the module. The Monitor circuit is supervised for faulty condition.



FEATURES

- ▶ Indian Manufacturer - Indian Standard
- ▶ UL Listed (9th Edition)
- ▶ Modular Construction
- ▶ Module Status by RED LED
- ▶ Analogue Communication with the panel
- ▶ Module Addressing by 8 way DIP switches
- ▶ Low Standby Current
- ▶ Available with suitable back boxes

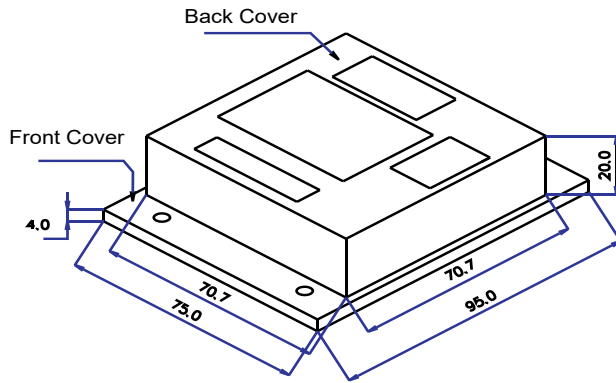
ELECTRICAL / MECHANICAL SPECIFICATION

Operating Voltage	: 24VDC Nominal
Current Draw	: 2mA Max (Latched)
Standby current	: 0.5 mA
Contact Rating	: 2A @ 30VDC (Resistive)
Temperature Range	: 0°C to 49°C / 32° - 120°F
Humidity	: 93 ± 2% RH (non condensing)
Dimension	: (95W x 75H x 24D)mm
Color	: Black
Weight	: 0.35 Kg

PRODUCT DATA SHEET

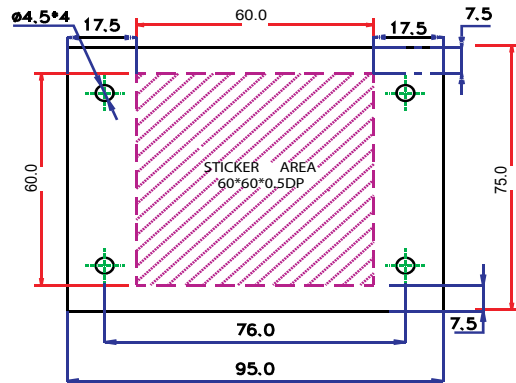
DIAGRAM

G.A.Diagram:

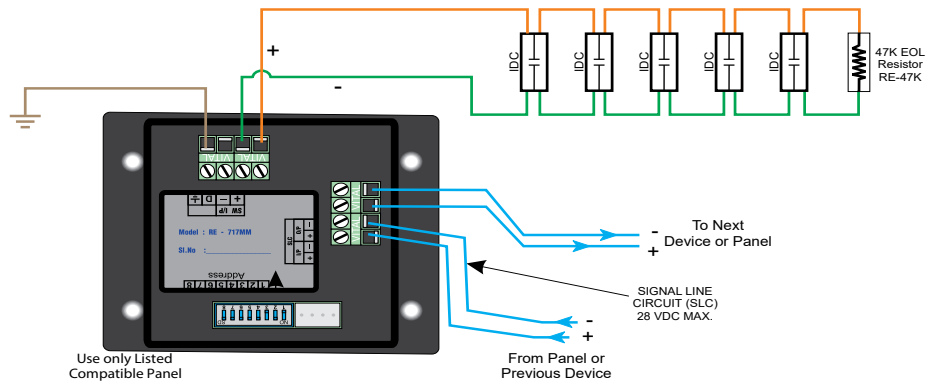


ALL DIMENSIONS ARE IN MM

Mounting Detail:



WIRING



NOTE:

- * D = NO CONNECTION
- * ALL WIRING SHOWN IS SUPERVISED AND POWER LIMITED