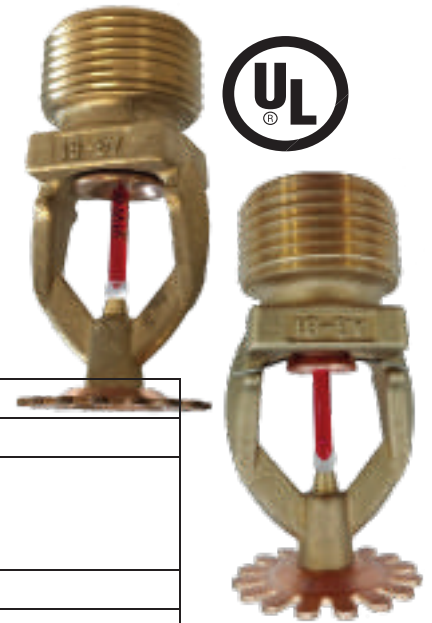




**GA-8109 / GA-8159**  
**SPRINKLER HEAD RECESSED PENDENT, PENDENT**  
**LIGHT HAZARD ( EXTENDED COVERAGE)**

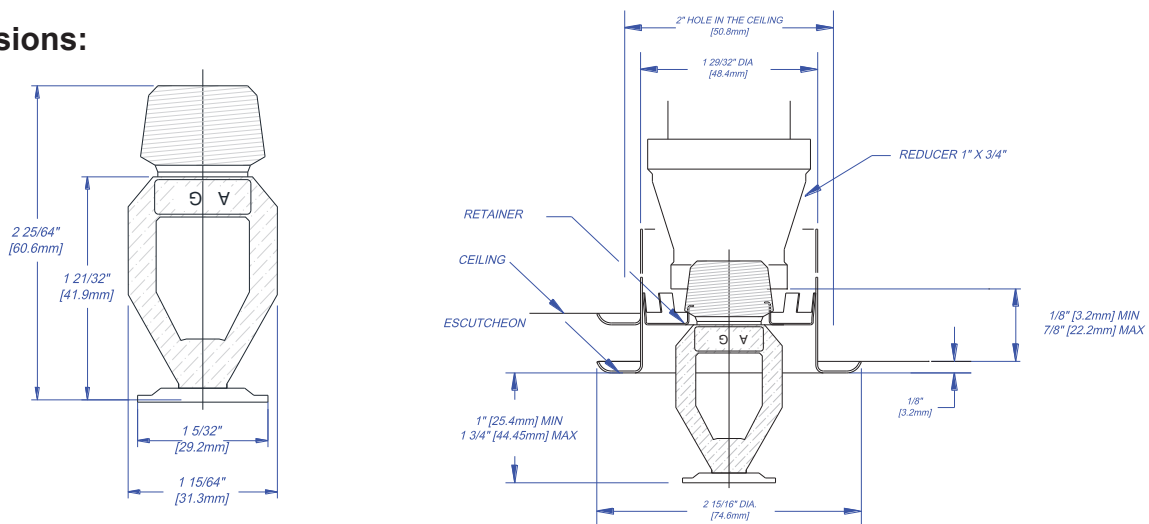


**Technical Specification:**

<b>Nominal "K" Factor</b>	8,0 (115 metric)
<b>Thread Size</b>	3/4" NPT (R3/4)
<b>Temperatures</b>	135°F (57°C) 155°F (68°C) 175°F (79°C) 200°F (93°C)
<b>Maximum Working Pressure</b>	175psi (12bar)
<b>Materials</b>	Frame: Brass Alloy Deflector: Cooper Alloy Screw: Brass Alloy Bulb Seat: Copper Alloy Sealing Spring: Nickel Alloy Lodgment Spring: Stainless Spring Bulb: Glass, 3 mm size
<b>Reference</b>	Quick Response: <b>GA8109</b> Standard Response: <b>GA8159</b>
<b>Finish<sup>1</sup></b>	Bronze Chrome Polyester

1. Other Finishes available under request.

**Dimensions:**



**Temperature Ratings:**

Classification	Sprinkler Temperature		Max. Ambient Temperature		Bulb Color
	°F	°C	°F	°C	
Ordinary	135	57	100	38	Orange
Ordinary	155	68	100	38	Red
Intermediate	175	79	150	66	Yellow
Intermediate	200	93	150	66	Green