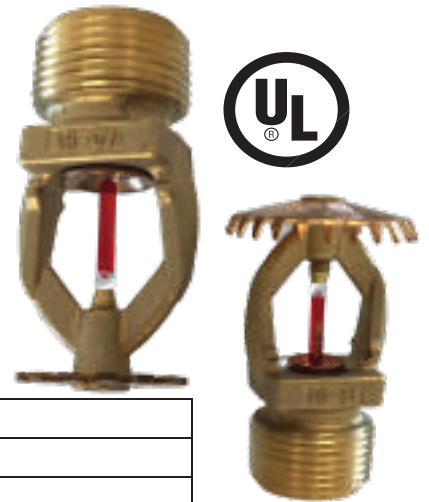




Sprinkler System

GA-8106 / GA-8118 SPRINKLER HEAD RECESSED PENDENT PENDENT & UPRIGHT BASIC SPRINKLER (STANDARD COVERAGE)

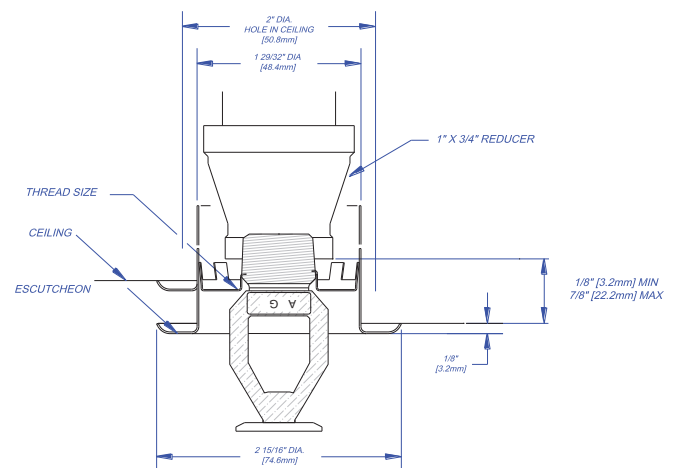
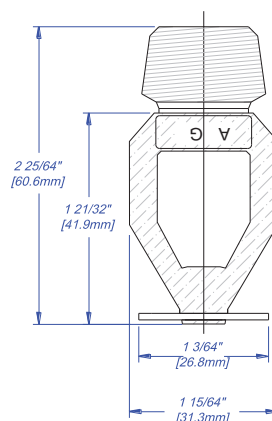
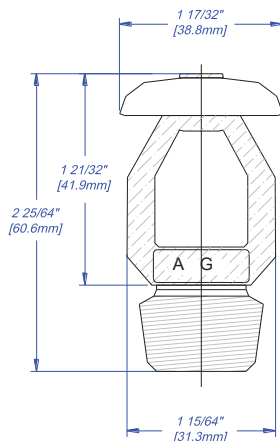


Technical Specification:

Nominal "K" Factor	8,0 (115 metric)
Thread Size	3/4" NPT
Temperatures	135°F (57°C) 155°F (68°C) 175°F (79°C) 200°F (93°C) 286°F (141°C)
Maximum Working Pressure	175 psi (12 bar)
Materials	Frame: Brass Alloy Deflector: Cooper Alloy Screw: Brass Alloy Bulb Seat: Copper Alloy Sealing Spring: Nickel Alloy Bulb: Glass, 3mm size
Reference	Pendent: GA8106 Upright: GA8118
Finish¹	Bronze Chrome Polyester

1. Other Finishes available under request.

Dimensions:



Temperature Ratings:

Classification	Sprinkler Temperature		Max. Ambient Temperature		Bulb Color
	°F	°C	°F	°C	
Ordinary	135	57	100	38	Orange
Ordinary	155	68	100	38	Red
Intermediate	175	79	150	66	Yellow
Intermediate	200	93	150	66	Green
High	286	141	225	107	Blue