



# Sprinkler System

## GA-5675 SPRINKLER HEAD RECESSED VERTICAL SIDEWALL BASIC SPRINKLER ( STANDARD COVERAGE)

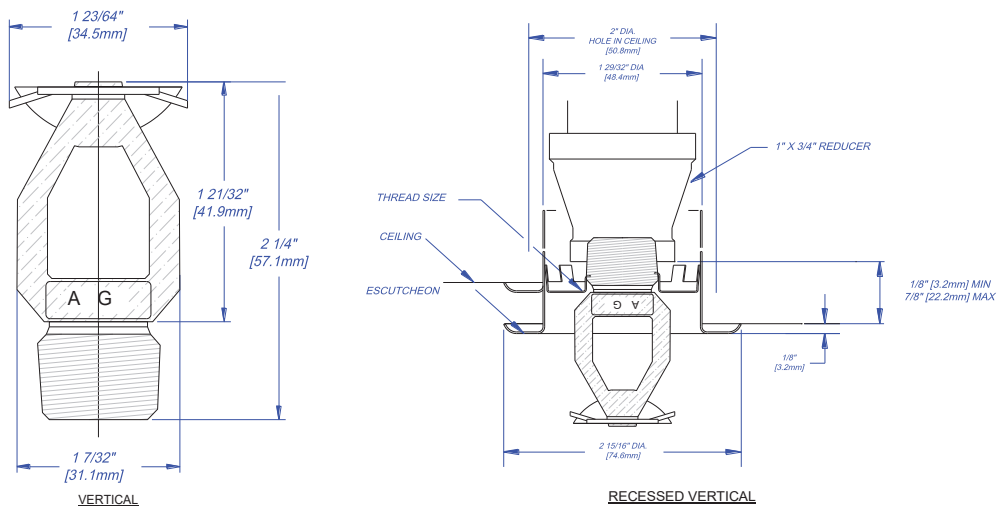


### Technical Specification:

<b>Nominal "K" Factor</b>	5,6 (80 metric)
<b>Thread Size</b>	1/2" NPT
<b>Temperatures</b>	135°F (57°C) 155°F (68°C) 175°F (79°C) 200°F (93°C) 286°F (141°C) 360°F (182°C)
<b>Maximum Working Pressure</b>	175 psi (12 bar)
<b>Factory tested Pressure</b>	500 psi (34,5 bar)
<b>Materials</b>	Frame: Brass Alloy Deflector: Cooper Alloy Screw: Brass Alloy Bulb Seat: Brass Alloy Sealing Spring: Nickel Alloy Bulb: Glass, 5mm size
<b>Reference</b>	<b>GA5675</b>
<b>Finish <sup>(1)</sup></b>	Bronze Chrome Polyester

(1). Other Finishes available under request.

### Dimensions:



### Temperature Ratings:

Classification	Sprinkler Temperature		Max. Ambient Temperature		Bulb Color
	°F	°C	°F	°C	
Ordinary	135	57	100	38	Orange
Ordinary	155	68	100	38	Red
Intermediate	175	79	150	66	Yellow
Intermediate	200	93	150	66	Green
High	286	141	225	107	Blue
High*	360	182	225	107	Mauve