



**GA-5670**  
**SPRINKLER HEAD RECESSED HORIZONTAL SIDEWALL**  
**BASIC SPRINKLER ( STANDARD COVERAGE)**

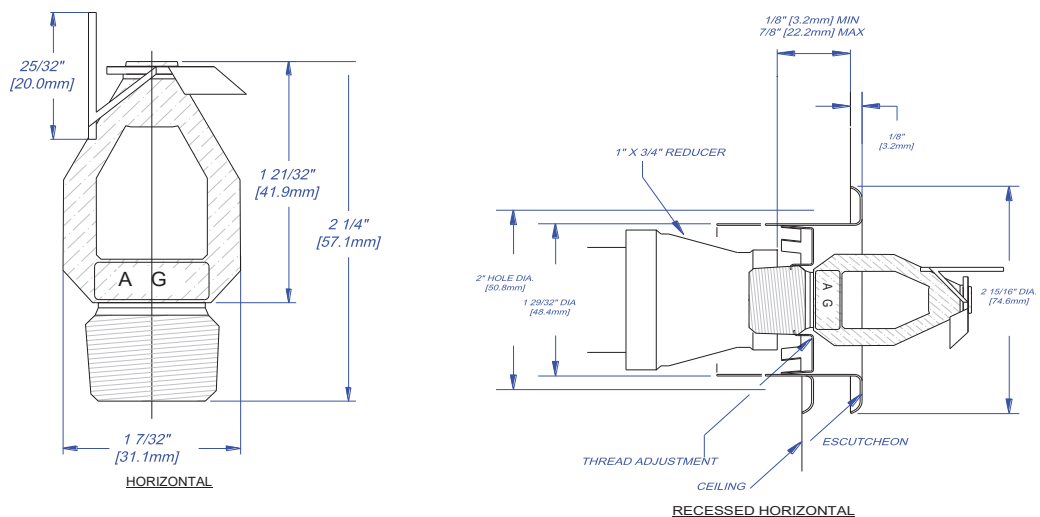


**Technical Specification:**

|                                 |  |
|---------------------------------|--|
| <b>Nominal "K" Factor</b>       | 5,6 (80 metric)  |
| <b>Thread Size</b>              | 1/2" NPT   |
| <b>Temperatures</b>             | 135°F (57°C)<br>155°F (68°C)<br>175°F (79°C)<br>200°F (93°C)<br>286°F (141°C)<br>360°F (182°C)   |
| <b>Maximum Working Pressure</b> | 175 psi (12 bar)   |
| <b>Factory tested Pressure</b>  | 500 psi (34,5 bar)   |
| <b>Materials</b>                | Frame: Brass Alloy<br>Deflector: Cooper Alloy<br>Screw: Brass Alloy<br>Bulb Seat: Brass Alloy<br>Sealing Spring: Nickel Alloy<br>Bulb: Glass, 5mm size |
| <b>Reference</b>                | <b>GA5670</b>  |
| <b>Finish <sup>(1)</sup></b>    | Bronze<br>Chrome<br>Polyester  |

(1). Other Finishes available under request.

**Dimensions:**



**Temperature Ratings:**

| Classification | Sprinkler Temperature |     | Max. Ambient Temperature |     | Bulb Color |
|----------------|-----------------------|-----|--------------------------|-----|------------|
|                | °F                    | °C  | °F                       | °C  |            |
| Ordinary       | 135                   | 57  | 100                      | 38  | Orange     |
| Ordinary       | 155                   | 68  | 100                      | 38  | Red        |
| Intermediate   | 175                   | 79  | 150                      | 66  | Yellow     |
| Intermediate   | 200                   | 93  | 150                      | 66  | Green      |
| High           | 286                   | 141 | 225                      | 107 | Blue       |
| High*          | 360                   | 182 | 225                      | 107 | Mauve      |