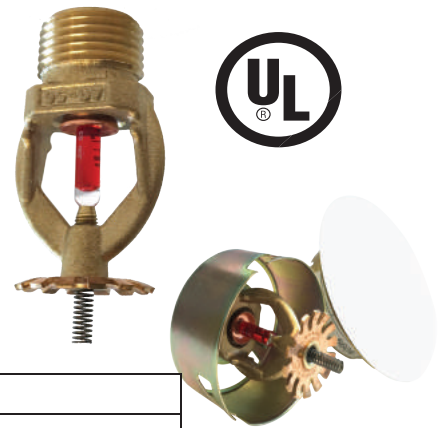




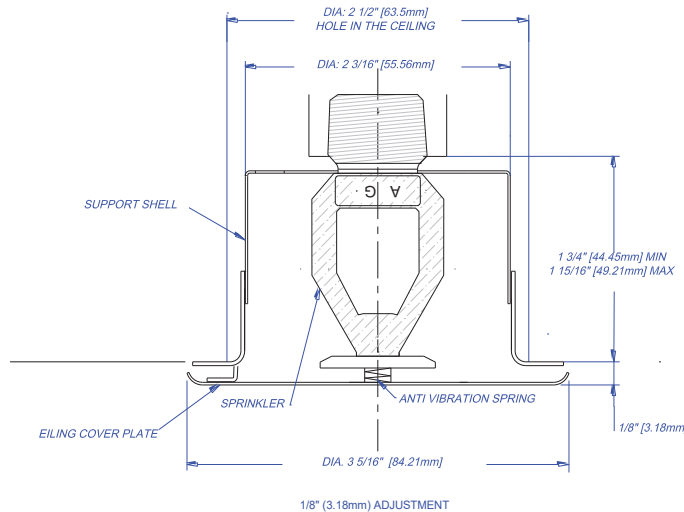
GA-5654
SPRINKLER HEAD CONCEALED SPRINKLER
DECORATIVE SPRINKLER (STANDARD COVERAGE)



Technical Specification:

Nominal "K" Factor	5.6 (80 metric)
Thread Size	1/2" NPT
Temperatures	135°F (57°C) sprinkler, 135°F (57°C) cover plate. 155°F (68°C) sprinkler, 135°F (57°C) cover plate. 155°F (68°C) sprinkler, 155°F (68°C) cover plate. 175°F (79°C) sprinkler, 155°F (68°C) cover plate. 200°F (93°C) sprinkler, 155°F (68°C) cover plate.
Maximum Working Pressure	175 psi (12 bar)
Materials	Frame: Brass Alloy Deflector: Cooper Alloy Screw: Brass Alloy Bulb Seat: Copper Alloy Sealing Spring: Nickel Alloy Bulb: Glass, 5mm size Vibration Spring: High Carbon Steel Cup for Concealed Sprinklers: Steel
Reference	GA5654
Finish	Bronze

Dimensions:



Temperature Ratings:

Classification	Sprinkler Temperature		Maximum Ceiling Temp.		Bulb Color
	°F	°C	°F	°C	
Ordinary	135	57	100	38	Orange
Ordinary	155	68	100	38	Red
Intermediate	175	79	150	66	Yellow
Intermediate	200	93	150	66	Green