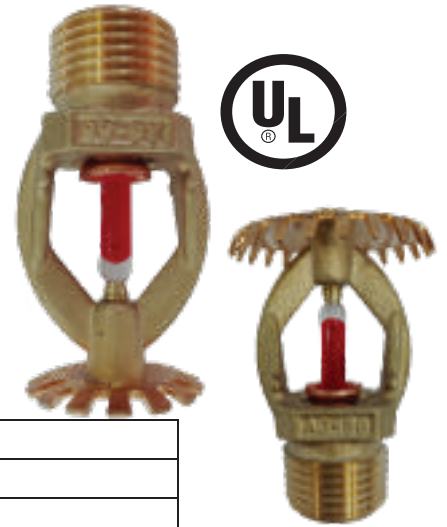




Sprinkler System

GA-2851 / GA-2861 SPRINKLER HEAD UPRIGHT & PENDENT STANDARD COVERAGE (BASIC SPRINKLER)

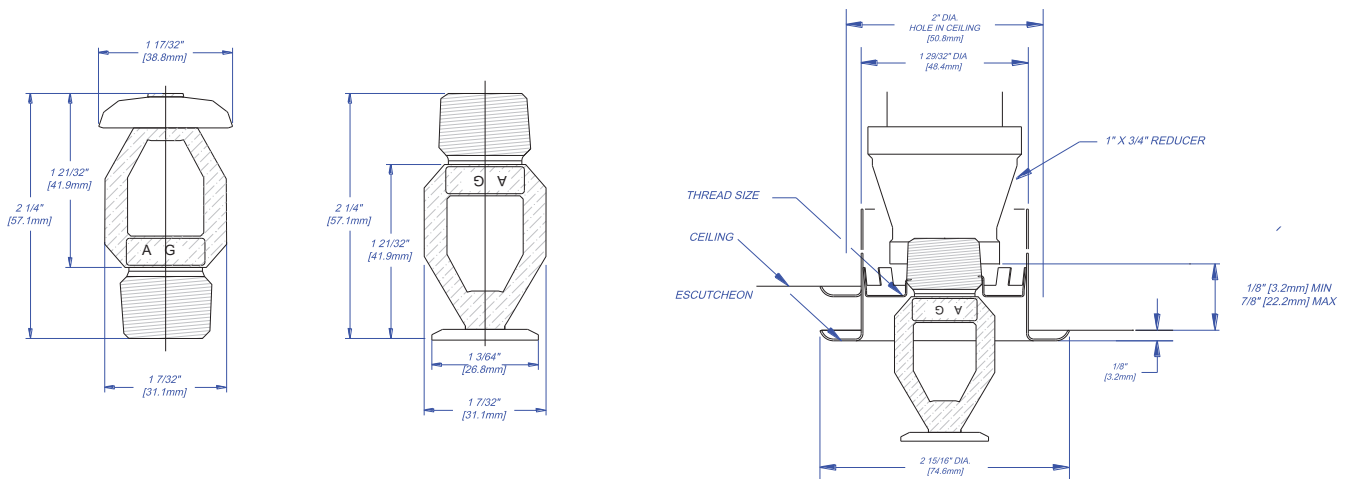


Technical Specification:

Nominal "K" Factor	2,8 (40 metric)
Thread Size	1/2" NPT
Temperatures	135°F (57°C) 155°F (68°C) 175°F (79°C) 200°F (93°C) 286°F (141°C) 360°F (182°C)
Maximum Working Pressure	175 psi (12 bar)
Materials	Frame: Brass Alloy Deflector: Cooper Alloy Screw: Brass Alloy Bulb Seat: Copper Alloy Sealing Spring: Nickel Alloy Bulb: Glass, 5mm size
Reference	Pendent: GA2851 Upright: GA2861
Finish¹	Bronze Chrome Polyester

1. Other Finishes available under request.

Dimensions:



Temperature Ratings:

Classification	Sprinkler Temp.		Max. Ambient Temp.		Bulb Color
	°F	°C	°F	°C	
Ordinary	135	57	100	38	Orange
Ordinary	155	68	100	38	Red
Intermediate	175	79	150	66	Yellow
Intermediate	200	93	150	66	Green
High	286	141	225	107	Blue
High	360	182	225	107	Mauve