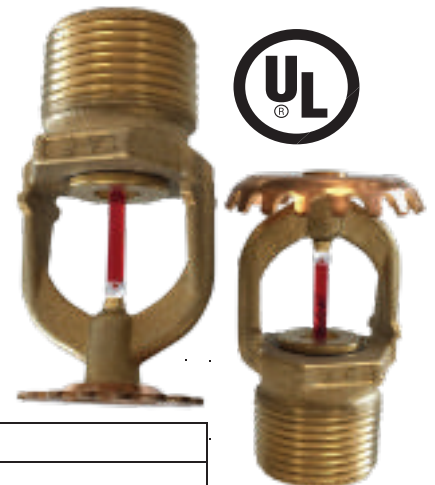




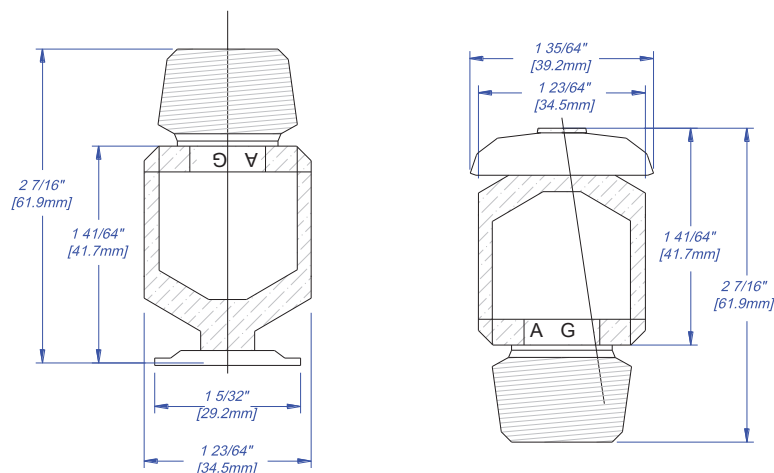
GA-1114 / GA-1123
SPRINKLER HEAD UPRIGHT & PENDENT
QUICK RESPONSE (CONTROL MODE SPRINKLER)



Technical Specification:

Nominal "K" Factor	11,2 (160 metric)
Thread Size	3/4" NPT (R3/4)
Temperatures	155°F (68°C) 175°F (79°C) 200°F (93°C) 286°F (141°C)
Working Pressure	175 psi (12 bar)
Materials	Frame: Brass Alloy Deflector: Cooper Alloy Screw: Brass Alloy Bulb Seat: Brass Alloy Sealing Spring: Nickel Alloy Bulb: Glass, 3 mm size
Reference	Pendent: GA1114 Upright: GA1123
Finish	Bronze

Dimensions:



Temperature Ratings:

Classification	Sprinkler Temperature		Max. Ambient Temperature		Bulb Color
	°F	°C	°F	°C	
Ordinary	155	68	100	38	Red
Intermediate	175	79	150	66	Yellow
Intermediate	200	93	150	66	Green
High	286	141	225	107	Blue