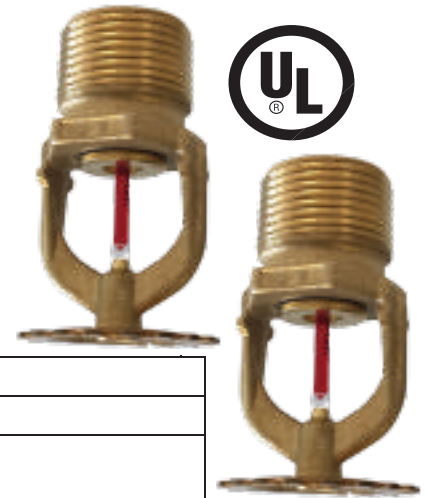




# GA-1113

## SPRINKLER HEAD RECESSED PENDENT ORDINARY HAZARD ( EXTENDED COVERAGE)

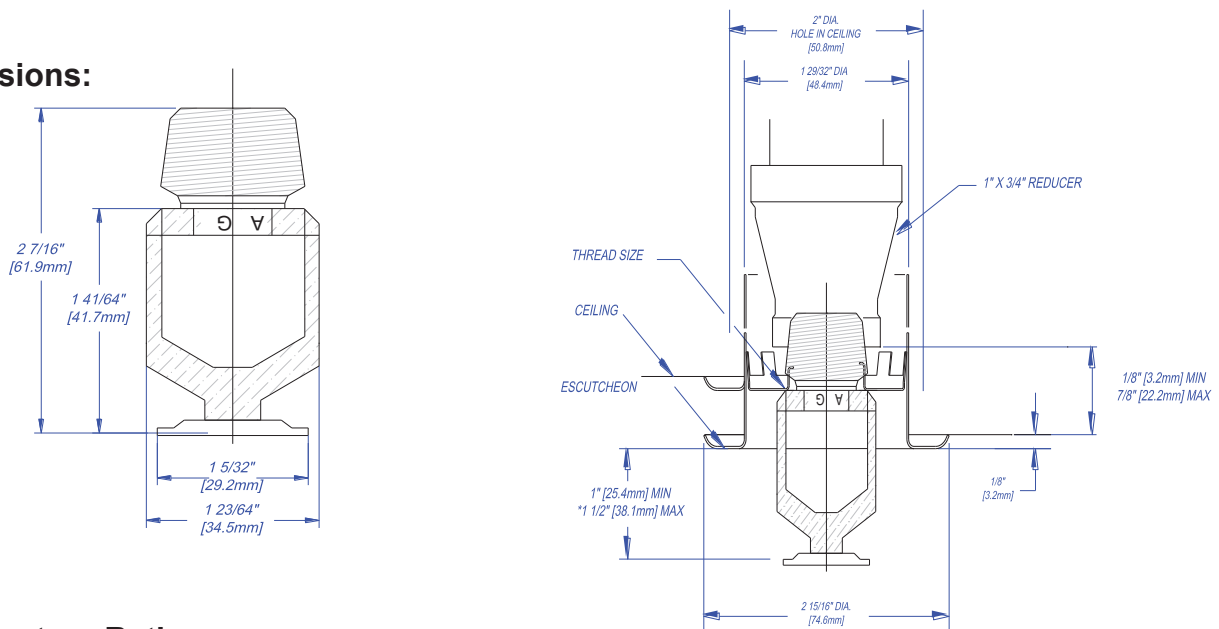


### Technical Specification:

Nominal "K" Factor	11,5 (160 metric)
Thread Size	3/4" NPT (R 3/4)
Temperatures	155°F (68°C) 175°F (79°C) 200°F (93°C) 286°F (141°C)
Maximum Working Pressure	175psi (12bar)
Materials	Frame: Brass Alloy Deflector: Cooper Alloy Screw: Brass Alloy Bulb Seat: Brass Alloy Sealing Spring: Nickel Alloy Bulb: Glass, 3 mm size
Reference	Pendent: <b>GA1113</b> Upright: GA1121
Finish <sup>1</sup>	Bronze Chrome Polyester

1. Other Finishes available under request.

### Dimensions:



### Temperature Ratings:

Classification	Sprinkler Temperature		Max. Ambient Temperature		Bulb Color
	°F	°C	°F	°C	
Ordinary	135	57	100	38	Orange
Ordinary	155	68	100	38	Red
Intermediate	175	79	150	66	Yellow
Intermediate	200	93	150	66	Green