



DELUGE VALVE MODEL-D1 (DUCTILE IRON)

TECHNICAL DATA

MODEL	D1-Ductile Iron ASTM A 536-77 GRADE 65-45-12
NOMINAL SIZE	200, 150, 100, 80 and 50 NB
SERVICE PRESSURE	1.4 to 17.5 Bar (20 to 250 PSI)
THREADED OPENING	BSPT
MOUNTING	Vertical or Horizontal mounting
FACTORY HYDROSTATIC TEST PRESSURE	35 Kg./sq.cm. (500 PSI)
FLANGE CONNECTION	ANSI B 16.5 #150 FF (RF-Optional)
WET PILOT SPRINKLER HEIGHT LIMITATION	As per graph in the catalogue
NET WEIGHT WITHOUT TRIM	200 NB - 153 Kg 150 NB - 79 Kg 100 NB - 50 Kg 80 NB - 35 Kg 50 NB - 32 Kg
FINISH	RAL 3000
APPROVAL	UL Listed
ORDERING INFORMATION	1. Size of valve 2. Flange specification 3. Valve trim vertical or horizontal 4. Trim type

DESCRIPTION

Deluge Valve is known as a system control valve in a deluge system, used for fast application of water in a spray system. Deluge valve protects areas such as power transformer installation, storage tank, conveyor protection and other industrial application etc. With the addition of foaming agent deluge valve can be used to protect aircraft hanger and inflammable liquid fire.

VALVE OPERATION

Deluge valve is a quick release, hydraulically operated diaphragm valve. It has three chambers, isolated from each other by the diaphragm operated clapper and seat seal. While in SET position, water pressure is transmitted through an external bypass check valve and restriction orifice from the system supply side to the top chamber, so that supply pressure in the top chamber act across the diaphragm operated clapper which holds the seat against the inlet supply pressure because of the differential pressure design. On detection of fire the top chamber is vented to atmosphere through the



outlet port via opened actuation devices. The top chamber pressure cannot be replenished through the restricted inlet port, and the upward force of the supply pressure lifts the clapper allowing the water flow to the system piping network and alarm devices.

TRIM DESCRIPTION

The trims are functionally termed as Dry Pilot Trim, Wet Pilot Trim, Electric Trim and Test and Alarm Trim as per the method of actuation of the deluge valve.

The functionality of these trims is described below..

a) DRY PILOT TRIM (PNEUMATIC RELEASE)

Dry pilot operation uses a pilot line of closed Sprinkles/QB detectors containing air under pressure, located in the area to be protected. It requires regulated dry air supply with main supply point through restricted orifice. The air pressure to be maintained as specified in the catalogue of Dry Pilot Actuator. The pilot line is connected to air inlet side of actuator. The top chamber of the deluge valve is connected to water inlet side of actuator.

When there is an air pressure drop, or due to release of any of the release device on detection of fire, the diaphragm of actuator is lifted and allows the water to drain. This releases the water pressure in the top chamber of the deluge valve, allowing the deluge valve to open and water to flow into the system piping & alarm devices. Recommended air supply pressure for dry pilot trim system is 3.5 kg/sq.cm.

User must install non return valve at air supply connection to deluge valve trim.



In dry pilot trim, an actuator (DPA) is provided. An optional Pneumatic Reset Device (PRD) can be provided, which acts as a manual reset device in the dry pilot line.

b) WET PILOT TRIM (HYDRAULIC RELEASE)

Wet pilot operation uses a pilot line of closed Sprinklers/QB detectors containing pressurized water, supplied through the upstream side of the Deluge valve, through a restricted orifice. All the release lines are connected to a common release line. Due to release of any one of the release device, the water pressure in the top chamber of the Deluge valve drops and the Deluge valve opens.

c) ELECTRIC RELEASE TRIM

To actuate a Deluge valve electrically, a solenoid valve is provided to drain the water from the top chamber of the Deluge valve. A pressure switch is provided to activate an electric alarm, to shut down the desired equipment or to give "Tripped" indication of the Deluge valve. In addition to this a pressure switch can also monitor "Low air pressure" and "Fire condition" when used in dry pilot air line.

d) TEST AND ALARM TRIM

This trim is supplied with a test valve is provided to test the normal operation of the sprinkler alarm bell. The sprinkler alarm can be supplied additionally, which bells on actuation of the Deluge valve.

e) DRAIN AND DRIP TRIM

This consists of main and system drain valve in

addition with drip valve.

TRIM TYPES

The trims are designated as following.

W =Wet Pilot trim. D = Dry Pilot Trim

a) Type ET-W and ET-D

This type of trim is basic trim required to operate the deluge valve. A solenoid valve for electric remote actuation and pressure switch for sensing & annunciation are optional.

b) Type ETW-D and ETD-D

This trim type is a combination of components of the ET trim along with the drip and drain trim. A solenoid valve for electric remote actuation and pressure switch for sensing & annunciation are optional.

c) Type ETW-T and ETD-T

This trim type is a combination of components of the ET trims along with the test and alarm trim. In dry pilot trim, an actuator DPA-H1 is provided with optional Pneumatic Reset Device (PRD-1). A solenoid valve for electric remote actuation and pressure switch for sensing & annunciation are optional.

d) Type NT-W and NT-D

This trim type is a combination of components of the ET trim along with the test and alarm trim as well as the drip and drain trim. A solenoid valve for electric remote actuation and pressure switch for sensing & annunciation are optional.

TRIM MODEL NO.	TRIM DESCRIPTION	MOUNTING	SCHEMATIC NO.
ETW	Basic Wet Pilot Trim	Vertical	Schematic 1
ETD	Basic Dry Pilot Trim	Vertical	Schematic 2
ETW-T	Basic Wet Pilot Trim with Test & Alarm Trim	Vertical	Schematic 3
ETD-T	Basic Dry Pilot Trim with Test & Alarm Trim	Vertical	Schematic 4
ETW-D	Basic Wet Pilot Trim with Drip & Drain Trim	Vertical	Schematic 5
ETD-D	Basic Dry Pilot Trim with Drip & Drain Trim	Vertical	Schematic 6
NTW	Basic Wet Pilot Trim with Test & Alarm Trim and Drip & Drain Trim	Vertical	Schematic 7
NTD	Basic Dry Pilot Trim with Test & Alarm Trim and Drip & Drain Trim	Vertical	Schematic 8
ETW	Basic Wet Pilot Trim	Horizontal	Schematic 9
ETD	Basic Dry Pilot Trim	Horizontal	Schematic 10
ETW-T	Basic Wet Pilot Trim with Test & Alarm Trim	Horizontal	Schematic 11
ETD-T	Basic Dry Pilot Trim with Test & Alarm Trim	Horizontal	Schematic 12
ETW-D	Basic Wet Pilot Trim with Drip & Drain Trim	Horizontal	Schematic 13
ETD-D	Basic Dry Pilot Trim with Drip & Drain Trim	Horizontal	Schematic 14
NTW	Basic Wet Pilot Trim with Test & Alarm Trim and Drip & Drain Trim	Horizontal	Schematic 15
NTD	Basic Dry Pilot Trim with Test & Alarm Trim and Drip & Drain Trim	Horizontal	Schematic 16





RESETTING PROCEDURE FOR THE DELUGE VALVE

- (i) Close the upstream side stop valve provided below the deluge valve
- (ii) Open both the drain valves/ drain plugs and close when the flow of water has ceased
- (iii) Close the release device/replace the Sprinkler if release was through Sprinkler/QB Detector
- (iv) Inspect and release if required, or close the section of the detection system subjected to "Fire condition"
- (v) In case of dry pilot detection system, open the air supply valve to build-up air pressure. Open the priming valve fully. Open the upstream side of the stop valve provided below the Deluge valve. No water should flow into the system
- (vi) Where priming shut off valve is provided for resetting, in addition to above steps press the knob on actuator while resetting

CAUTION

- (a) Do not close the priming valve, downstream and upstream stop valves, while the system is in service
- (b) The releasing device must be maintained in the open position, when actuated, to prevent the deluge valve from closure if anti shut off valve is not provided
- (c) While using a Deluge valve in the wet pilot system the height and the length of the wet pilot detection line is to be limited as shown in the wet pilot sprinkler height limitation graph
- (d) Do not connect the Sprinkler Alarm outlet drain line to close a common drain as it may create back pressure and Sprinkler Alarm may not function
- (e) Deluge valve must have support to absorb sudden opening or closing vibration shock to the piping
- (f) To avoid water damage, take precautions when opening the water supply main control valve, since water will flow from all open system valves
- (g) The responsibility of maintenance of the protection system and devices in proper operating condition lies with the owner of the system

SYSTEM TESTING PROCEDURE

- (i) Keep the upstream side of the stop valve partially open. To avoid water flow to system side close the system side stop valve. This valve is to be kept in open position after the testing is completed
- (ii) Let any of the release devices to trip. This will result in a sudden drop of water pressure in the deluge valve top chamber which in turn will

open the deluge valve. Close the upstream stop valve immediately

- (iii) Reset the valve as per the procedure given under heading "RESETTING PROCEDURE FOR THE DELUGE VALVE"

INSPECTION AND MAINTENANCE

Installed system piping network must be flushed properly before placing the Deluge valve in service.

A qualified and trained person must commission the system. After few initial successful tests, an authorized person must be trained to perform inspection and testing of the system. It is recommended to have regular inspection and test run of the system as per NFPA guideline or in accordance to the organisation having local jurisdiction.

(i) WARNING

Inspection and testing is to be carried out only by authorised and trained personnel. DO NOT TURN OFF the water supply or close any valve to make repair(s) or test the valve, without placing a roving fire patrol in the area covered by the system. Also inform the local security personnel and central alarm station, so that there is no false alarm signal.

It is recommended to carry out physical inspection of the system at least twice in a week. The inspection should verify that all the control valves are in proper position as per the system requirement and that there are no damages to any component.

The frequency of inspections must be increased in the presence of contaminated water supplies, corrosive/ scaling water supplies, and corrosive atmospheres.

(ii) NORMAL CONDITION

- (a) All main valves are open and are sealed with tamper proof seal
- (b) Drain valves must be kept closed
- (c) No leak or drip is detected from the drip valve
- (d) All the gauges except the system side water pressure gauge, should show the required pressure
- (e) There should be no leakage in the system

(iii) NORMAL CONDITION TEST

- (a) The system should be checked for normal condition at least once in a week
- (b) Test the sprinkler alarm bell or electric alarm by turning the alarm test valve to the test position. The alarm should sound. This test should be carried out at least once in a week



(c) Depress the drip valve knob. Significant accumulation indicates a possible seat leakage

(d) Conduct the water flow test as per the procedure of system testing at least once a month

(iv) PERIODIC CHECK

Conduct the water flow test by actuating few of the release devices provided in the system. Clean all strainer(s) and priming line restriction. This test is to be carried out at least once in three months.

ABNORMAL CONDITION

(i) ALARM FAILS TO SOUND

(a) Check for any obstruction in the alarm test line, make certain that the sprinkler alarm is free to operate

(b) If an electric alarm is provided, check the electrical circuitry to the alarm

(ii) FALSE TRIPS

(a) Check for clogging in priming line, restriction orifice check valve, priming valve & strainer

(b) Leakage in the release system

(c) The deluge air panel orifice clogged or low supply pressure

(iii) LEAKAGE THROUGH THE DELUGE VALVE

(a) Damaged deluge valve seat or obstruction on the seat face by foreign object

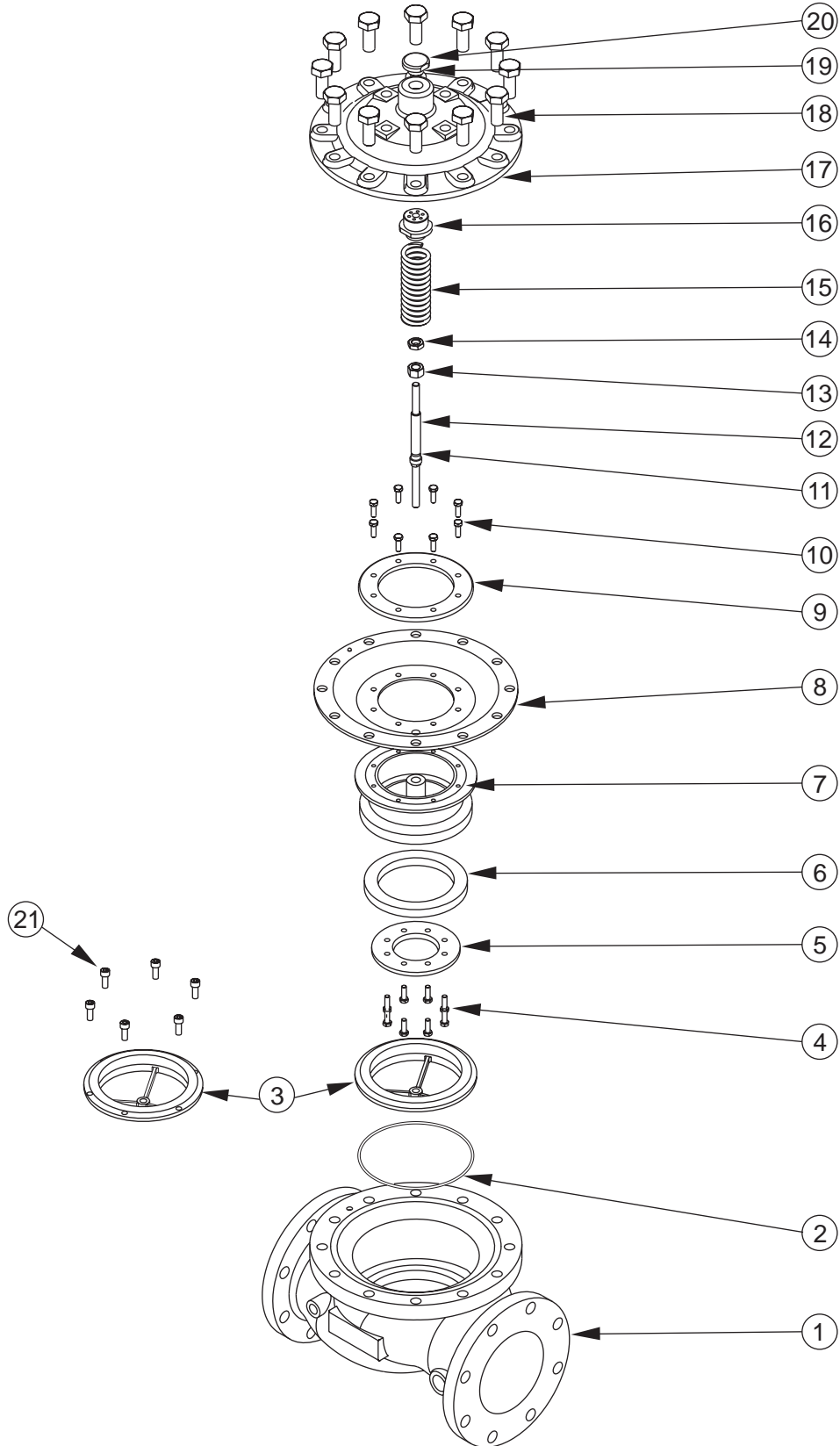
(b) Leakage in release system

(c) Partly clogged priming line restriction orifice check valve

(d) Low air pressure on release system line or leakage in release system

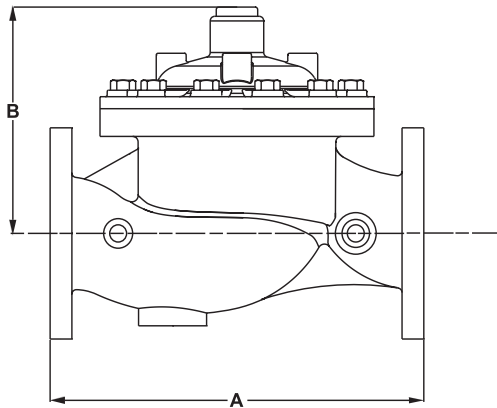


DELUGE VALVE MODEL - D1 SIZE 200 / 150 / 100 / 80/ 50 NB





DELUGE VALVE MODEL - D1 SIZE 200 / 150 / 100 / 80 / 50 NB



DIMENSION in millimeter (Approximate)

VALVE NOMINAL SIZE	A	B
200 NB	552	332
150 NB	462	282
100 NB	412	245
80 NB	372	232
50 NB	320	232

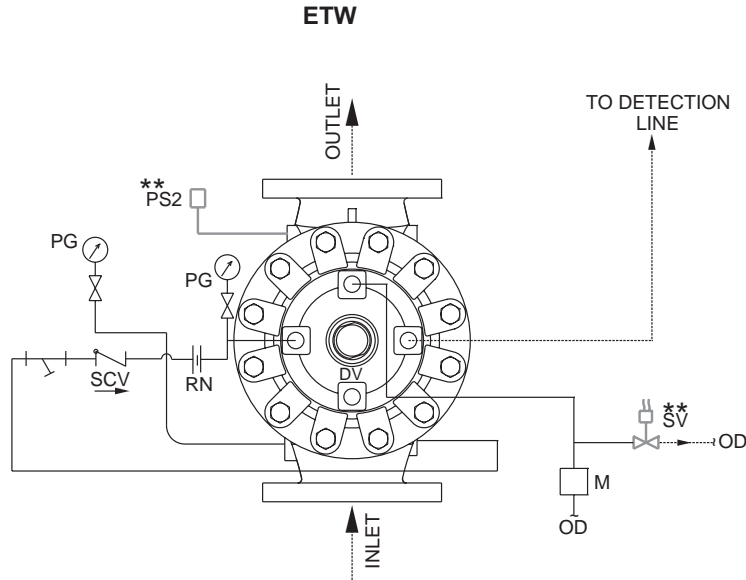
PART LIST

ITEM NO.	PART NO.					DESCRIPTION	QTY.				MATERIAL SPECIFICATION
	200 NB	150 NB	100 NB	80 NB	50 NB		200 NB	150 NB	100 NB	80/50 NB	
1	4024	3991	4001	4015	4039	HOUSING	1	1	1	1	DUCTILE IRON
2	8561	9783	9784	9791	9791	"O"RING	1	1	1	1	NEOPRENE RUBBER
3	4025	3993	4003	4017	4017	SEAT	1	1	1	1	BRONZE
4	9151	9112	9112	-	-	BOLT	8	4	4	-	STAINLESS STEEL
5	4026	3994	4004	4018	4018	RUBBER CLAMP	1	1	1	1	BRONZE
6	4027	4000	4005	4023	4023	RUBBER SEAT	1	1	1	1	NEOPRENE RUBBER
7	4034	3990	4011	4041	4041	CLAPPER	1	1	1	1	DUCTILE IRON /*
8	4035	2427	2786	2786	2786	DIAPHRGM	1	1	1	1	NEOPRENE RUBBER
9	4030	2424	2504	2788	2788	CLAMP RING	1	1	1	1	BRONZE
10	8806	9151	9151	9187	9187	BOLT	12	8	8	8	STAINLESS STEEL
11	9986	9986	9986	9986	9986	"O"RING	1	1	1	1	NEOPRENE RUBBER
12	4029	3996	4007	4020	4020	SPINDLE	1	1	1	1	STAINLESS STEEL
13	9185	8838	8838	9185	9185	NUT	1	1	1	1	STAINLESS STEEL
14	9186	9184	9184	9186	9186	LOCK NUT	1	1	1	1	STAINLESS STEEL
15	2980	2979	2978	2977	2977	SPRING	1	1	1	1	STAINLESS STEEL
16	4033	3998	4010	3983	3983	ADAPTOR	1	1	1	1	BRONZE
17	4032	3992	4002	4016	4016	COVER	1	1	1	1	CAST STEEL
18	9008	9049	9051	8692	8692	BOLT	16	12	12	12	CARBON STEE
19	9982	9982	9982	9982	9982	"O"RING	1	1	1	1	NEOPRENE RUBBER
20	2514	2514	2514	2514	2514	PLUG	1	1	1	1	STEEL PLATED
21	8843	-	-	-	-	ALLEN BOLT	6	-	-	-	STAINLESS STEEL

* Optional Bronze

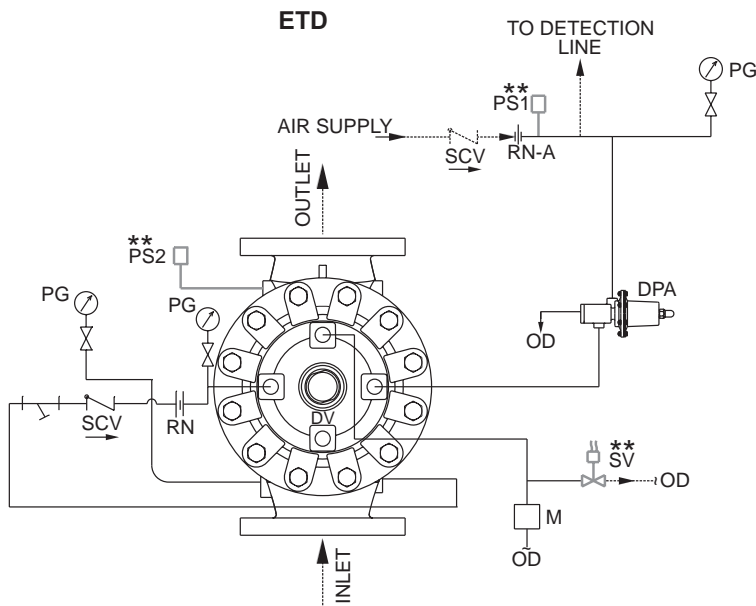


**SCHEMATIC FOR WET PILOT BASIC TRIM FOR DELUGE VALVE
MODEL - D1 FOR VERTICAL MOUNTING**



SCHEMATIC 1

**SCHEMATIC FOR DRY PILOT BASIC TRIM FOR DELUGE VALVE
MODEL - D1 FOR VERTICAL MOUNTING**



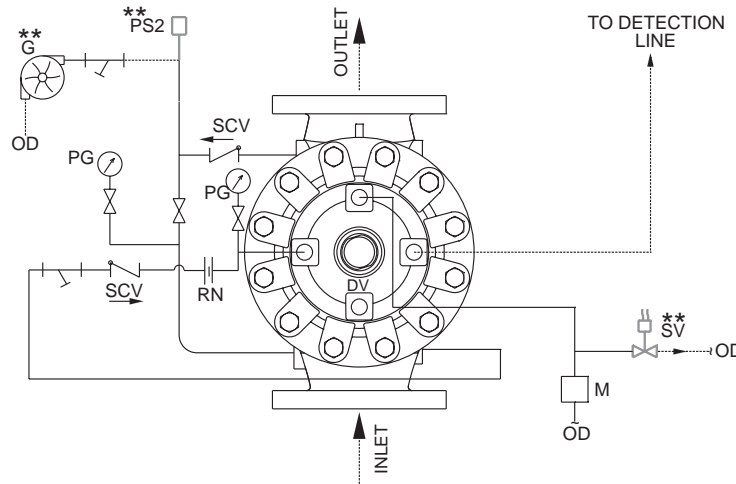
SCHEMATIC 2

- | | | | |
|--|---------------------------|--|-------------------------------|
| DV - DELUGE VALVE | G - SPRINKLER ALARM (WMG) | ∩ - SWING CHECK VALVE | M - EMERGENCY RELEASE STATION |
| OD - OPEN DRAIN | ∩ - VALVE | RN - RESTRICTION NOZZLE (PRIMING LINE) | DPA - DRY PILOT ACTUATOR |
| ∩ - STRAINER | SV - SOLENOID VALVE | ∩ - ANGLE VALVE | PG - PRESSURE GAUGE |
| DR.V - DRIP VALVE | --- - BY USER | PS1 - LOW AIR ALARM PRESSURE SWITCH | ** - OPTIONAL |
| PS2 - WATER FLOW PRESSURE ALARM SWITCH | | RN-A - RESTRICTION NOZZLE (AIR LINE) | |



**SCHEMATIC FOR WET PILOT BASIC TRIM FOR DELUGE VALVE
MODEL - D1 FOR VERTICAL MOUNTING**

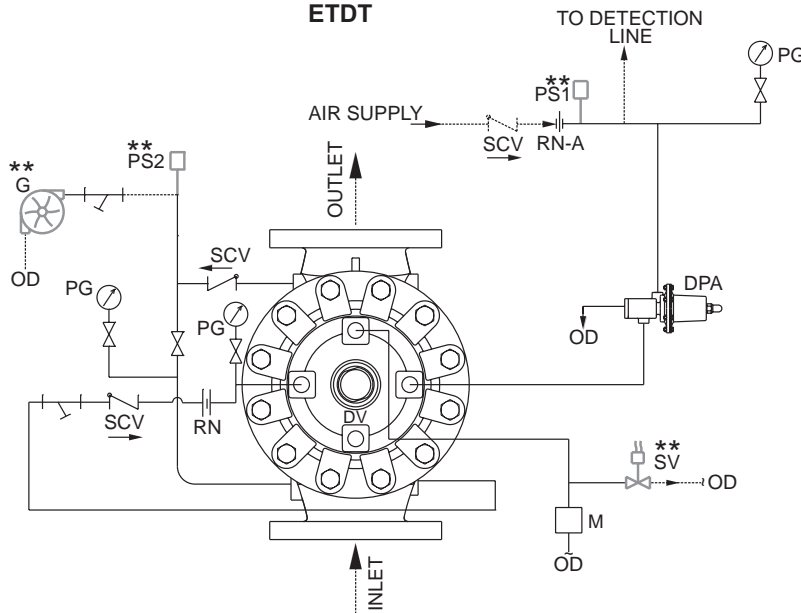
ETWT



SCHEMATIC 3

**SCHEMATIC FOR DRY PILOT BASIC TRIM FOR DELUGE VALVE
MODEL - D1 FOR VERTICAL MOUNTING**

ETDT



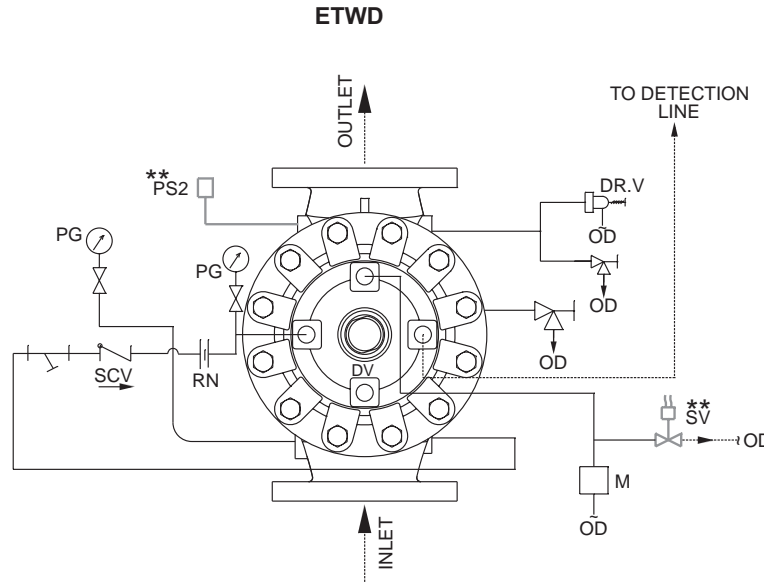
SCHEMATIC 4

- | | | | |
|--|---------------------------|--|-------------------------------|
| DV - DELUGE VALVE | G - SPRINKLER ALARM (WMG) | ↗ - SWING CHECK VALVE | M - EMERGENCY RELEASE STATION |
| OD - OPEN DRAIN | ⊗ - VALVE | RN - RESTRICTION NOZZLE (PRIMING LINE) | DPA - DRY PILOT ACTUATOR |
| ┌─┴─┐ - STRAINER | SV - SOLENOID VALVE | ┌─┴─┐ - ANGLE VALVE | PG - PRESSURE GAUGE |
| DR.V - DRIP VALVE | --- - BY USER | PS1 - LOW AIR ALARM PRESSURE SWITCH | ** - OPTIONAL |
| PS2 - WATER FLOW PRESSURE ALARM SWITCH | | RN-A - RESTRICTION NOZZLE (AIR LINE) | |



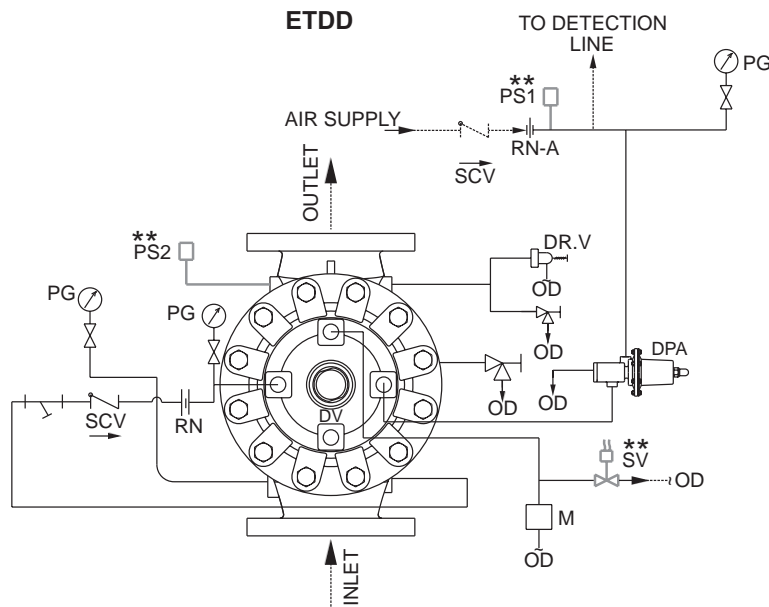


**SCHEMATIC FOR WET PILOT BASIC TRIM FOR DELUGE VALVE
MODEL - D1 FOR VERTICAL MOUNTING**



SCHEMATIC 5

**SCHEMATIC FOR DRY PILOT BASIC TRIM FOR DELUGE VALVE
MODEL - D1 FOR VERTICAL MOUNTING**

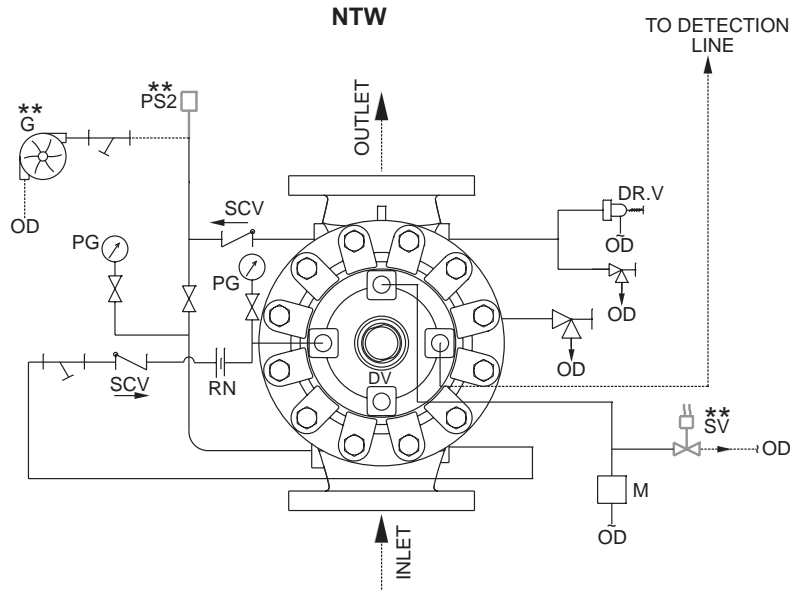


SCHEMATIC 6

- | | | | |
|--|---------------------------|--|-------------------------------|
| DV - DELUGE VALVE | G - SPRINKLER ALARM (WMG) | ∩ - SWING CHECK VALVE | M - EMERGENCY RELEASE STATION |
| OD - OPEN DRAIN | ∠ - VALVE | RN - RESTRICTION NOZZLE (PRIMING LINE) | DPA - DRY PILOT ACTUATOR |
| ∩ - STRAINER | SV - SOLENOID VALVE | ∠ - ANGLE VALVE | PG - PRESSURE GAUGE |
| DR.V - DRIP VALVE | --- - BY USER | PS1 - LOW AIR ALARM PRESSURE SWITCH | ** - OPTIONAL |
| PS2 - WATER FLOW PRESSURE ALARM SWITCH | | RN-A - RESTRICTION NOZZLE (AIR LINE) | |

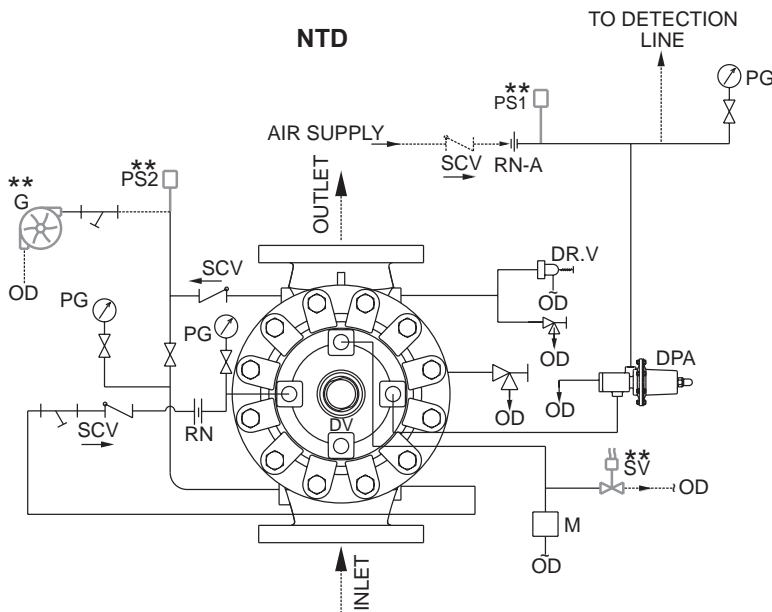


**SCHEMATIC FOR WET PILOT BASIC TRIM FOR DELUGE VALVE
MODEL - D1 FOR VERTICAL MOUNTING**



SCHEMATIC 7

**SCHEMATIC FOR DRY PILOT BASIC TRIM FOR DELUGE VALVE
MODEL - D1 FOR VERTICAL MOUNTING**

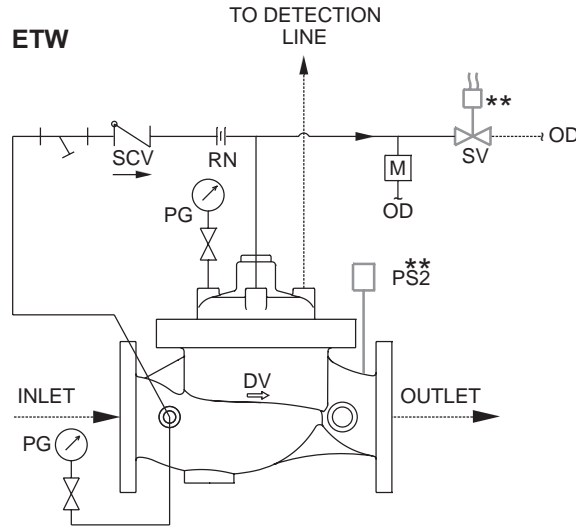


SCHEMATIC 8

- | | | | |
|--|---------------------------|--|-------------------------------|
| DV - DELUGE VALVE | G - SPRINKLER ALARM (WMG) | ↗ - SWING CHECK VALVE | M - EMERGENCY RELEASE STATION |
| OD - OPEN DRAIN | ∩ - VALVE | RN - RESTRICTION NOZZLE (PRIMING LINE) | DPA - DRY PILOT ACTUATOR |
| ⊥ - STRAINER | SV - SOLENOID VALVE | ↘ - ANGLE VALVE | PG - PRESSURE GAUGE |
| DR.V - DRIP VALVE | --- - BY USER | PS1 - LOW AIR ALARM PRESSURE SWITCH | ** - OPTIONAL |
| PS2 - WATER FLOW PRESSURE ALARM SWITCH | | RN-A - RESTRICTION NOZZLE (AIR LINE) | |

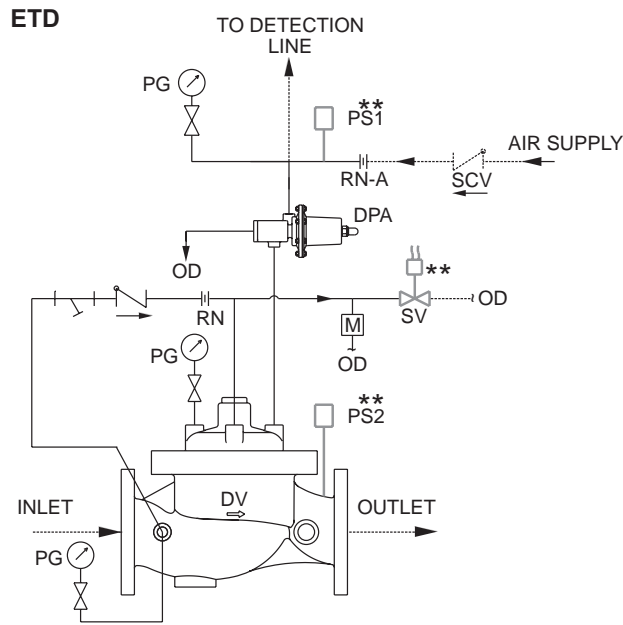


**SCHEMATIC FOR WET PILOT BASIC TRIM FOR DELUGE VALVE
MODEL - D1 FOR HORIZONTAL MOUNTING**



SCHEMATIC 9

**SCHEMATIC FOR DRY PILOT BASIC TRIM FOR DELUGE VALVE
MODEL - D1 FOR HORIZONTAL MOUNTING**



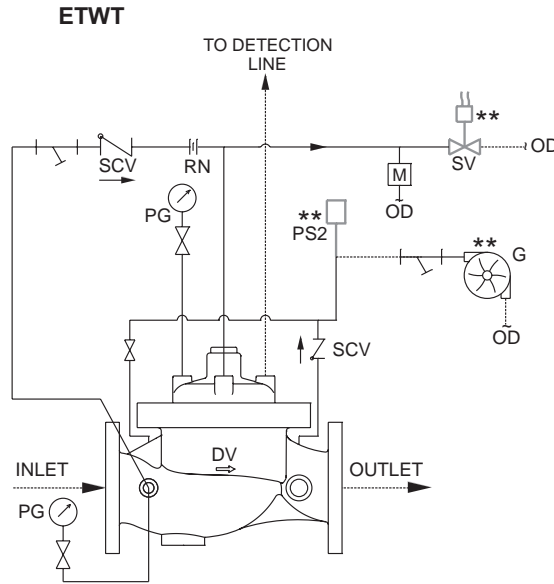
SCHEMATIC 10

- | | | | |
|--|---------------------------|--|-------------------------------|
| DV - DELUGE VALVE | G - SPRINKLER ALARM (WVG) | ↗ - SWING CHECK VALVE | M - EMERGENCY RELEASE STATION |
| OD - OPEN DRAIN | ⊗ - VALVE | RN - RESTRICTION NOZZLE (PRIMING LINE) | DPA - DRY PILOT ACTUATOR |
| ⊥ - STRAINER | SV - SOLENOID VALVE | ↘ - ANGLE VALVE | PG - PRESSURE GAUGE |
| DR.V - DRIP VALVE | --- - BY USER | PS1 - LOW AIR ALARM PRESSURE SWITCH | ** - OPTIONAL |
| PS2 - WATER FLOW PRESSURE ALARM SWITCH | | RN-A - RESTRICTION NOZZLE (AIR LINE) | |



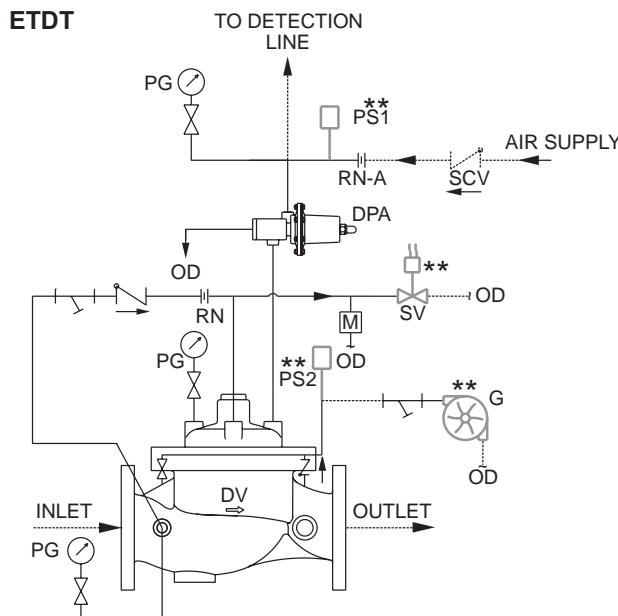


**SCHEMATIC FOR WET PILOT BASIC TRIM FOR DELUGE VALVE
MODEL - D1 FOR HORIZONTAL MOUNTING**



SCHEMATIC 11

**SCHEMATIC FOR DRY PILOT BASIC TRIM FOR DELUGE VALVE
MODEL - D1 FOR HORIZONTAL MOUNTING**

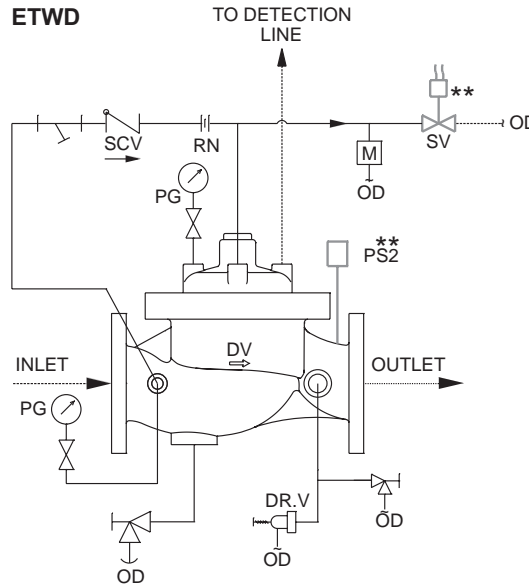


SCHEMATIC 12

- | | | | |
|--|---------------------------|--|-------------------------------|
| DV - DELUGE VALVE | G - SPRINKLER ALARM (WVG) | ↯ - SWING CHECK VALVE | M - EMERGENCY RELEASE STATION |
| OD - OPEN DRAIN | ∩ - VALVE | RN - RESTRICTION NOZZLE (PRIMING LINE) | DPA - DRY PILOT ACTUATOR |
| ⊥ - STRAINER | SV - SOLENOID VALVE | ∠ - ANGLE VALVE | PG - PRESSURE GAUGE |
| DR.V - DRIP VALVE | --- - BY USER | PS1 - LOW AIR ALARM PRESSURE SWITCH | ** - OPTIONAL |
| PS2 - WATER FLOW PRESSURE ALARM SWITCH | | RN-A - RESTRICTION NOZZLE (AIR LINE) | |

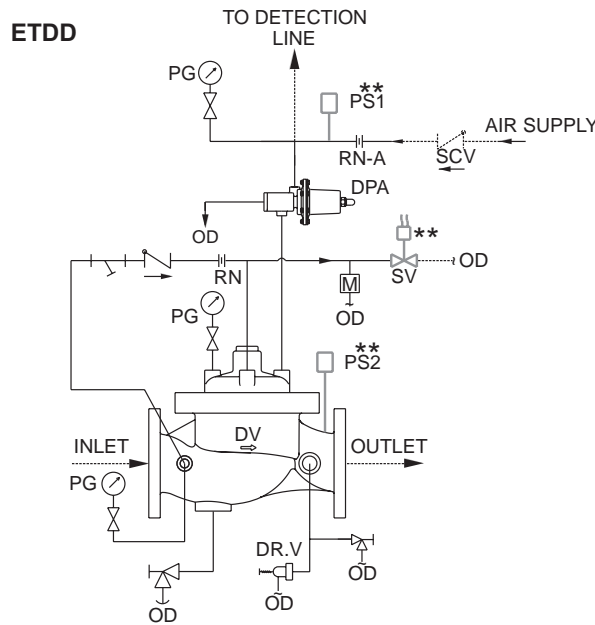


**SCHEMATIC FOR WET PILOT BASIC TRIM FOR DELUGE VALVE
MODEL - D1 FOR HORIZONTAL MOUNTING**



SCHEMATIC 13

**SCHEMATIC FOR DRY PILOT BASIC TRIM FOR DELUGE VALVE
MODEL - D1 FOR HORIZONTAL MOUNTING**



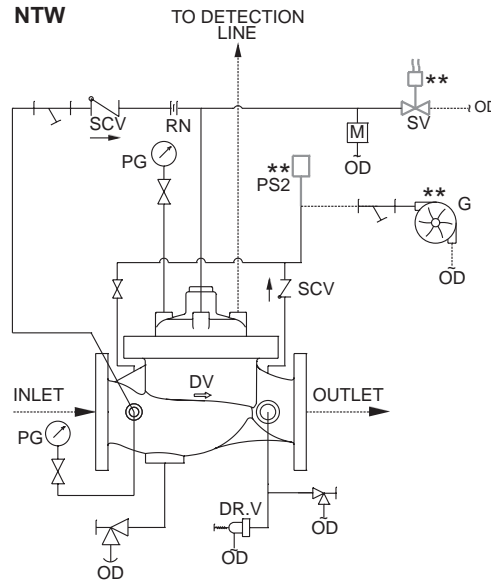
SCHEMATIC 14

- | | | | |
|--|---------------------------|--|-------------------------------|
| DV - DELUGE VALVE | G - SPRINKLER ALARM (WMG) | ∩ - SWING CHECK VALVE | M - EMERGENCY RELEASE STATION |
| OD - OPEN DRAIN | ⊗ - VALVE | RN - RESTRICTION NOZZLE (PRIMING LINE) | DPA - DRY PILOT ACTUATOR |
| ∩ - STRAINER | SV - SOLENOID VALVE | ∠ - ANGLE VALVE | PG - PRESSURE GAUGE |
| DR.V - DRIP VALVE | --- - BY USER | PS1 - LOW AIR ALARM PRESSURE SWITCH | ** - OPTIONAL |
| PS2 - WATER FLOW PRESSURE ALARM SWITCH | | RN-A - RESTRICTION NOZZLE (AIR LINE) | |



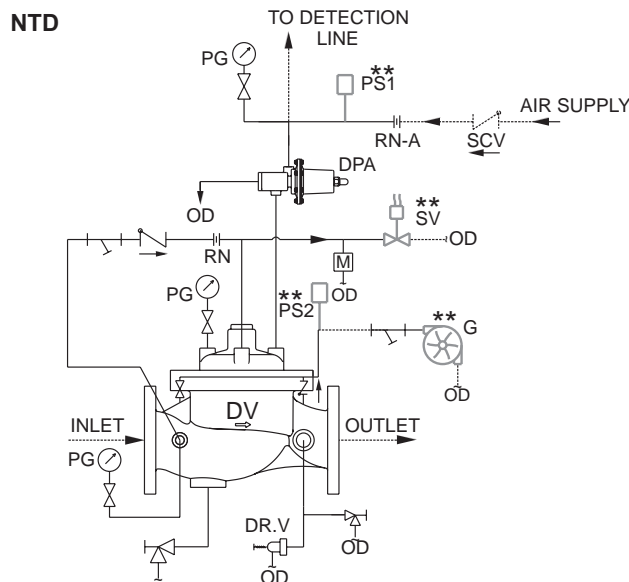


**SCHEMATIC FOR WET PILOT BASIC TRIM FOR DELUGE VALVE
MODEL - D1 FOR HORIZONTAL MOUNTING**



SCHEMATIC 15

**SCHEMATIC FOR DRY PILOT BASIC TRIM FOR DELUGE VALVE
MODEL - D1 FOR HORIZONTAL MOUNTING**



SCHEMATIC 16

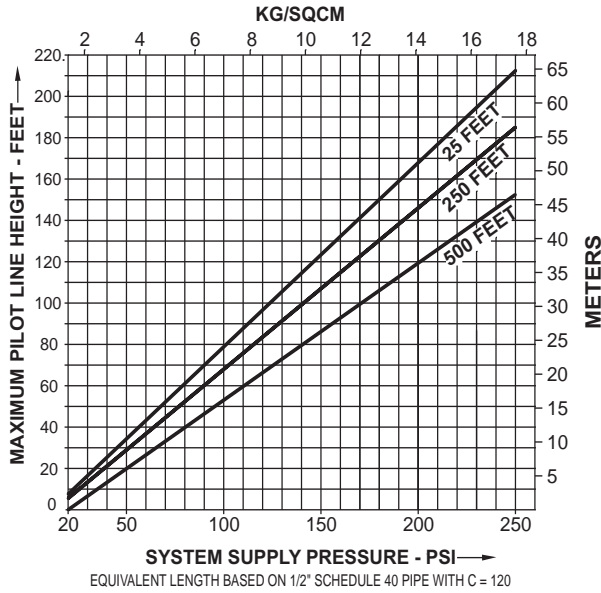
- | | | | |
|--|---------------------------|--|-------------------------------|
| DV - DELUGE VALVE | G - SPRINKLER ALARM (WMG) | ∩ - SWING CHECK VALVE | M - EMERGENCY RELEASE STATION |
| OD - OPEN DRAIN | ∆ - VALVE | RN - RESTRICTION NOZZLE (PRIMING LINE) | DPA - DRY PILOT ACTUATOR |
| ∩ - STRAINER | SV - SOLENOID VALVE | ∠ - ANGLE VALVE | PG - PRESSURE GAUGE |
| DR.V - DRIP VALVE | --- - BY USER | PS1 - LOW AIR ALARM PRESSURE SWITCH | ** - OPTIONAL |
| PS2 - WATER FLOW PRESSURE ALARM SWITCH | | RN-A - RESTRICTION NOZZLE (AIR LINE) | |



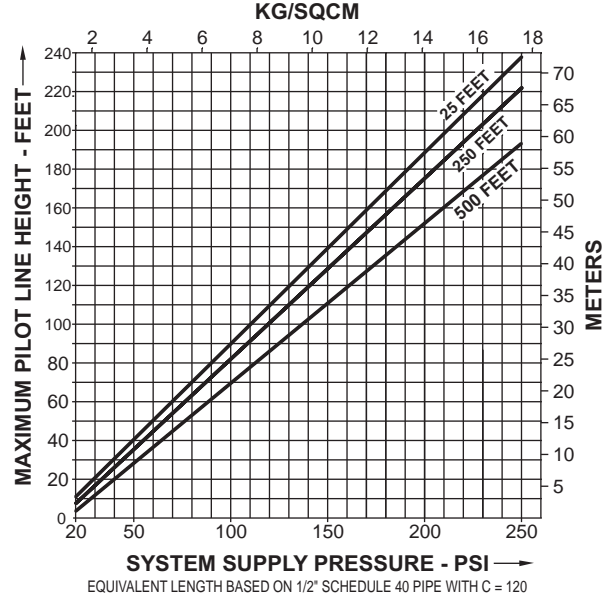


SPRINKLER HEIGHT LIMITATION

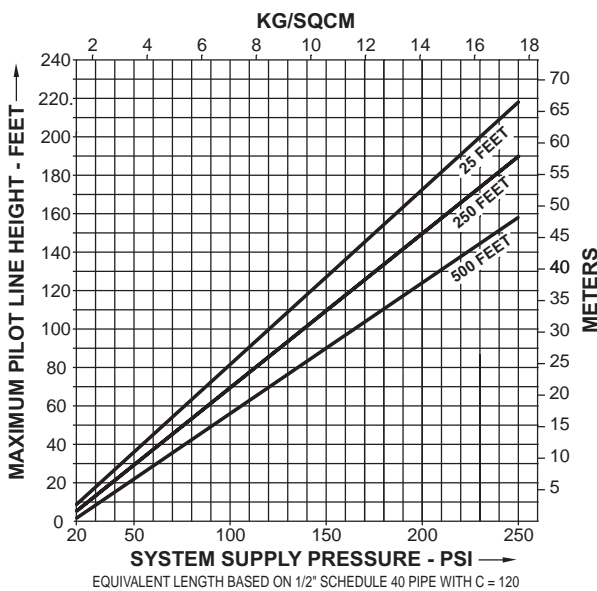
DV 200NB



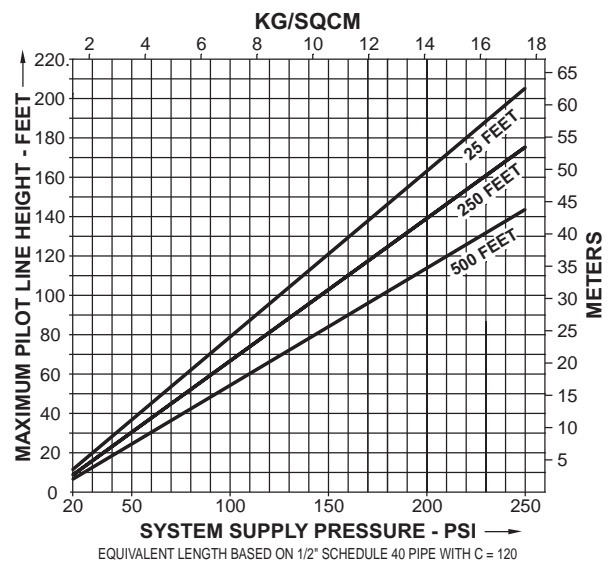
DV 150NB



DV 100NB



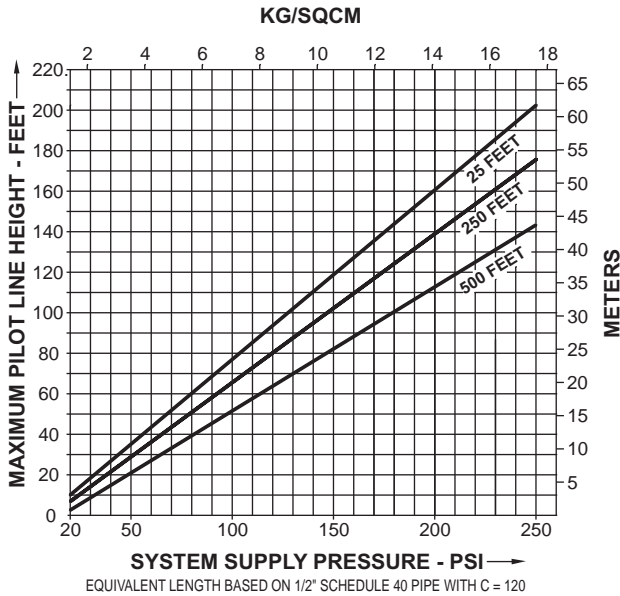
DV 80NB





SPRINKLER HEIGHT LIMITATION

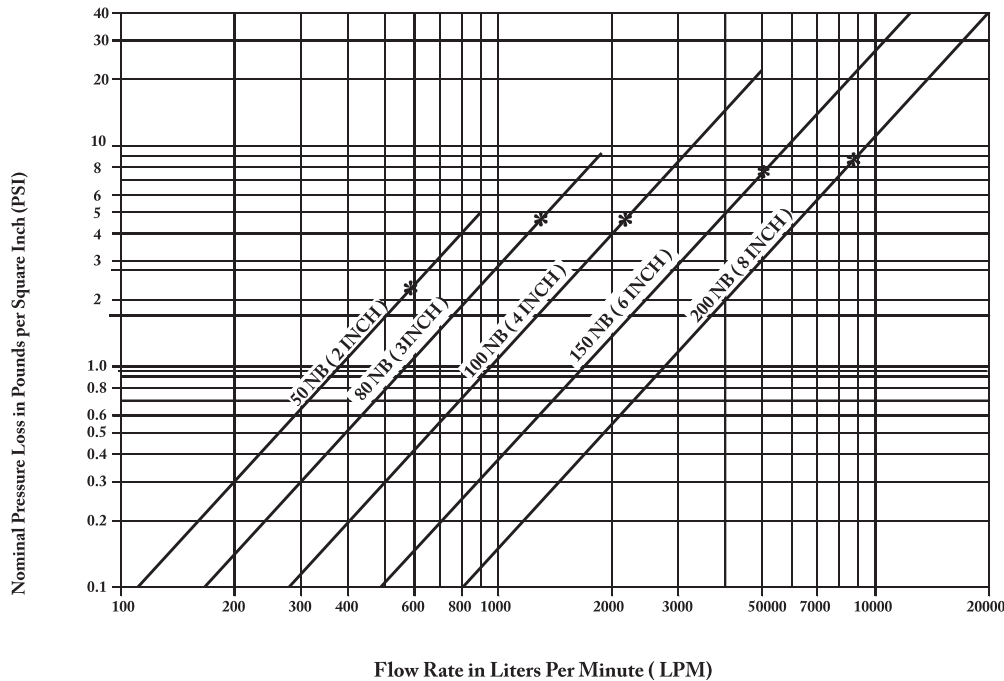
DV - 50NB



DELUGE VALVE MODEL D1

Nominal Pressure Loss vs Flow

(* flow at 15 feet per second (4.57 meter per second)



- * 2.3 PSI pressure loss @ 15 feet per second (4.57 met/sec) velocity having flow of 594 LPM
- * 4.7 PSI pressure loss @ 15 feet per second (4.57 met/sec) velocity having flow of 1308 LPM
- * 4.7 PSI pressure loss @ 15 feet per second (4.57 met/sec) velocity having flow of 2255 LPM
- * 7.5 PSI pressure loss @ 15 feet per second (4.57 met/sec) velocity having flow of 5117 LPM
- * 8.4 PSI pressure loss @ 15 feet per second (4.57 met/sec) velocity having flow of 8854 LPM