



Sprinkler System

FA007C / FA008C CONCEALED PENDENT SPRINKLER STANDARD SPRAY / QUICK RESPONSE

Nominal Discharge curve:

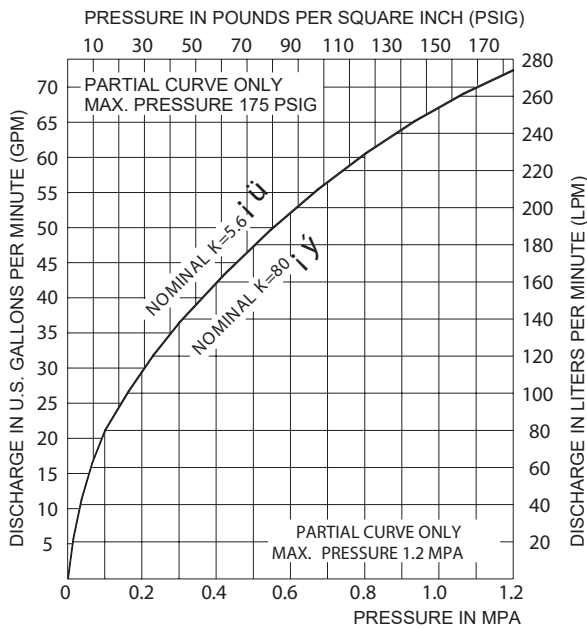
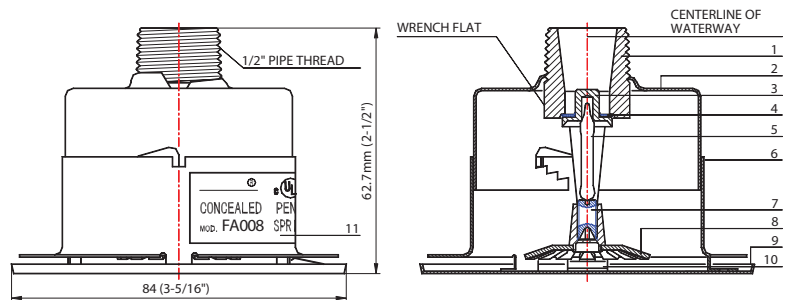


FIGURE B : NOMINAL DISCHARGE CURVE

$$Q = K (P)^{0.5}$$



Dimensions:



- 1.FRAME 2.MOUNTING CUP 3.BUTTON 4.SPRING SEAL 5.GLASS BULB 6.ENCLOSURE
- 7.SET SCREW 8.DEFLECTOR 9.COVER PLATE 10.EJECTION SPRING 11.LABEL

FIGURE A : MODEL FA007C/FA008C CONCEALED PENDENT SPRINKLER

Technical Specification:

| Model & Sprinkler I.D. No. | FA007C | | FA008C | |
|---|---|--------------|----------------------|--------------|
| Style | Concealed Pendent | | | |
| Response & Bulb Nominal Dia. | Standard Response, Ø5mm | | Quick Response, Ø3mm | |
| Temp. Classification | Ordinary | Ordinary | Intermediate | Intermediate |
| Sprinkler Nominal Temp. Rating | 135°F / 57°C | 155°F / 68°C | 175°F / 79°C | 200°F / 93°C |
| Cover Plate Nominal Temp. Rating | 135°F / 57°C | 135°F / 57°C | 155°F / 68°C | 155°F / 68°C |
| Max. Ambient Temp. Allowed ² | 115°F / 46°C | 135°F / 57°C | 155°F / 68°C | 180°F / 82°C |
| Max. Recommended Ambient Temp. ³ | 100°F / 38°C | 100°F / 38°C | 150°F / 65°C | 150°F / 65°C |
| Glass Bulb Color ⁴ | Orange | Red | Yellow | Green |
| Thread Size [Optional] | NPT1/2 or R1/2 ⁵ | | | |
| Nominal Orifice Size | 1/2 Inch | | | |
| Nominal K-Factor ¹ | 5.6 (U.S.) / 80 (metric) | | | |
| Max. Working Pressure | 175 psig / 1.2 MPa (12 bar) | | | |
| Factory Hydrostatic Test | 100% @ 500psig (3.4 MPa) | | | |
| Min. Operating Pressure | 7 psig / 0.048 MPa (0.48 bar) | | | |
| Sprinkler Finish [Optional] | Natural Brass or Chrome Plated | | | |
| Cover Plate Finish | Painted White or Chrome Plated or Color Coated In Any Color | | | |
| Listings and Approvals ⁶ | UL(United States) | | | |