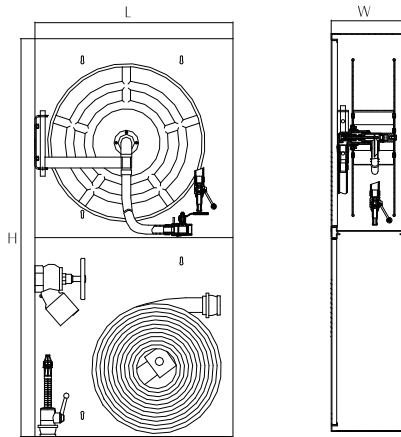




## FIRE HOSE REEL CABINET DOUBLE COMPARTMENT

### DIMENSIONS:



### PREFERENCES:

Size	Dimension	D(mm)	Inlet	Outlet
19mm×20M	1450×720×250	580	1" BSP	6 mm
19mm×30M	1450×720×250	580	1" BSP	6 mm
25mm×20M	1520x760x280	580	1" BSP	8 mm
25mm×30M	1450x760x280	580	1" BSP	8 mm

# CABINET